

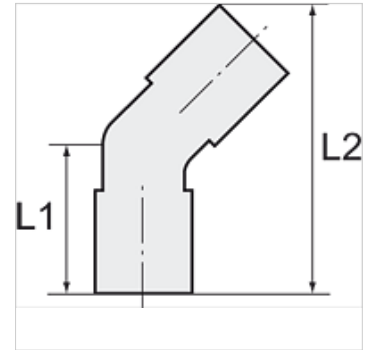
K-STECKVERSCHR 45° DRE AG OR

45° union elbows, swivel type, parallel male thread with O-ring

HANSA FLEX

Caratteristiche

Pressione di lavoro	Max. 15 bar, coarse vacuum
Campo di impiego	Air, vacuum
Tubi flessibili consigliati	PU or PA (nylon)
Mezzi	Compressed air and all gases or liquids that are compatible with the materials
Campo della temperatura:	-20 °C to +80 °C
Superficie di tenuta	Parallel version: O-ring in housing
Materiale	Plastic, Nickel plated brass
Anello di compressione	Plastic



Nota

Altri dati su richiesta.

Descrizione

Push-in fittings series manufactured in plastic and nickel-plated brass. All parts are suitable for use with hoses, tubes or pipes made of plastic and copper.

Articolo

Denominazione	Filetto	per diametro esterno del tubo flessibile Ø mm	L1 (mm)	L2 (mm)	SW
K- 07 40 05 47	M 5	4 mm	20,2	34,7	10 mm
K- 07 40 05 48	M 5	6 mm	21,9	36,1	12 mm
K- 07 40 05 59	G 1/8	4 mm	23,2	39,0	12 mm
K- 07 40 05 60	G 1/8	6 mm	24,4	42,0	14 mm
K- 07 40 05 61	G 1/8	8 mm	27,1	47,5	14 mm
K- 07 40 05 58	G 1/8	10 mm	29,7	53,1	17 mm
K- 07 40 05 55	G 1/4	4 mm	24,7	40,5	12 mm
K- 07 40 05 56	G 1/4	6 mm	25,9	43,5	14 mm
K- 07 40 05 57	G 1/4	8 mm	28,6	49,0	17 mm
K- 07 40 05 53	G 1/4	10 mm	30,7	54,1	17 mm
K- 07 40 05 54	G 1/4	12 mm	32,8	60,4	21 mm
K- 07 40 05 64	G 3/8	6 mm	26,2	45,0	14 mm
K- 07 40 05 65	G 3/8	8 mm	30,1	50,5	20 mm
K- 07 40 05 62	G 3/8	10 mm	32,2	55,6	20 mm
K- 07 40 05 63	G 3/8	12 mm	33,8	61,4	21 mm
K- 07 40 05 51	G 1/2	6 mm	30,9	48,5	14 mm
K- 07 40 05 52	G 1/2	8 mm	33,6	54,0	24 mm
K- 07 40 05 49	G 1/2	10 mm	35,7	59,1	19 mm
K- 07 40 05 50	G 1/2	12 mm	37,3	64,9	24 mm