

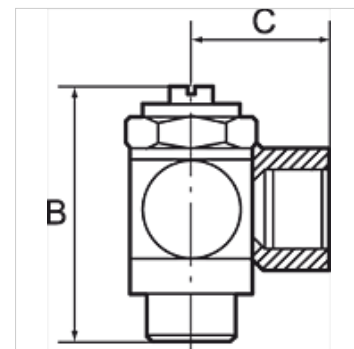
K-DRV GEW V SCHLITZ

Unidirectional flow control valves, incoming air restriction (»V«), screw connection

HANSA FLEX

Caratteristiche

Pressione d'esercizio	max. 10 bar
Campo della temperatura:	0 °C to +70 °C
Vite a testa cava, braccio orientabile, vite di regolazione	Nickel-plated brass
Parti interne	Brass with a bare metal surface
Guarnizione a labbri o-ring	NBR
Guarnizioni (imperdibili)	Polyamide (glass fibre-reinforced)



Nota

Altri dati su richiesta.

Descrizione

For fine regulation of a cylinder piston speed in the forward and return motion and precise control of flow rates. Designed as a banjo-type valve with a hollow bolt and ring piece. Can be screwed directly onto the valve or cylinder to restrict the incoming air. Compact type of construction, also ideal where space is restricted.

Articolo

Denominazione	Attacco	C (mm)	Filetto	SW	B (mm)
K- 07 15 25 21	M 5 female thread	11,5	M 5	8 mm	24,5
K- 07 15 05 70	G 1/8 female thread	16,0	G 1/8	14 mm	32,0
K- 07 15 05 66	G 1/4 female thread	22,0	G 1/4	17 mm	40,0
K- 07 15 25 22	G 3/8 female thread	26,0	G 3/8	20 mm	50,0