

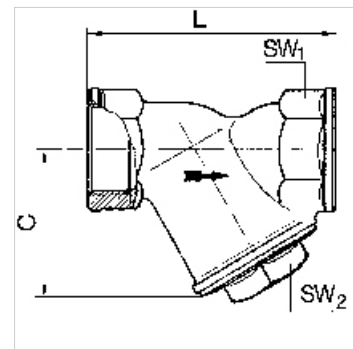
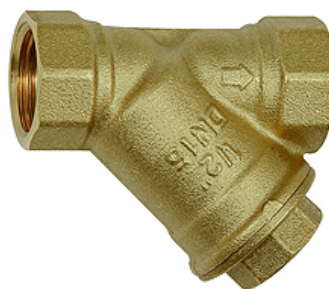
K-SCHMUTZFAENGER MS BL

Strainers - brass

HANSA FLEX

Caratteristiche

Pressione d'esercizio	max. 20 bar
Temperatura d'esercizio	-20 °C to +110 °C
Filettatura descrizione	G-thread acc. ISO 228-1, tolerance class B
Inserto filtrante	Stainless steel, mesh size 0.5 mm
Alloggiamento	Brass with a bare metal surface
Elemento di testa	Brass with a bare metal surface
Guarnizioni di tenuta	NBR O-ring



Nota

Altri dati su richiesta.

Descrizione

Suitable for domestic water services, heating and air conditioning plants or compressed air systems. Not suitable for steam.

Articolo

Denominazione	DN	Filetto	C (mm)	L (mm)	SW1 (mm)	SW2 (mm)
K- 07 30 29 93	8	G 1/4	40,0	55,0	18	20
K- 07 30 29 94	10	G 3/8	40,0	55,0	21	20
K- 07 30 29 95	15	G 1/2	40,0	58,0	25	20
K- 07 30 29 96	20	G 3/4	48,0	70,0	31	27
K- 07 30 29 97	25	G 1	56,0	87,0	38	32
K- 07 30 29 98	32	G 1 1/4	64,0	96,0	47	36
K- 07 30 29 99	40	G 1 1/2	73,0	106,0	57	38
K- 07 30 30 00	50	G 2	89,0	126,0	67	46