

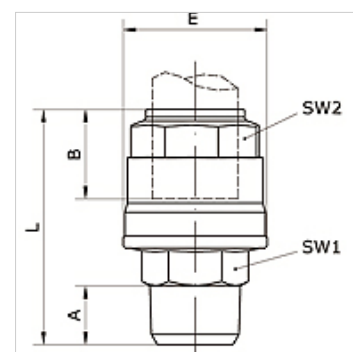
# K-G STECK 20-63 AG INFI

Straight push-in connector Ø 20 mm – Ø 63 mm with external thread

**HANSA FLEX**

## Caratteristiche

Mezzi	Compressed air, vacuum, inert gases
Pressione d'esercizio	-0,99 bar - 15 bar
Campo della temperatura:	-20 °C to +80 °C
Guarnizione	NBR
Alloggiamento	Nickel-plated brass
Anello di serraggio	Stainless steel 1.4301
Dado	Nickel-plated brass
O-ring	NBR
Anello di arresto	Technopolymer



## Articolo

Denominazione	Ø esterno del tubo	Attacco	A (mm)	B (mm)	E (mm)	L (mm)	SW1 (mm)	SW2 (mm)
K- 07 40 53 37	20 mm	R 1/2	14,0	31,5	34,5	56,0	22	30
K- 07 40 53 38	25 mm	R 3/4	16,5	38,5	42,5	66,0	27	35
K- 07 40 53 39	32 mm	R 1	19,0	46,0	52,0	76,5	34	45
K- 07 40 53 40	40 mm	R 1 1/4	21,5	52,0	63,0	89,5	45	55
K- 07 40 53 41	40 mm	R 1 1/2	21,5	52,0	63,0	92,0	50	55
K- 07 40 53 42	50 mm	R 1 1/2	21,5	63,5	73,0	105,0	50	65