

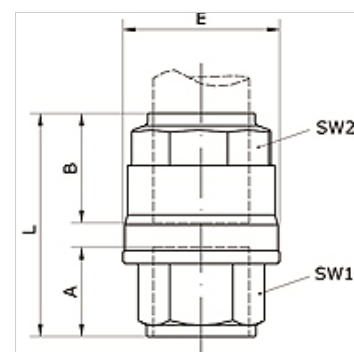
# K-G STECK 20-63 IG INFI

Straight push-in connector Ø 20 mm – Ø 63 mm with internal thread

**HANSA FLEX**

## Caratteristiche

<b>Mezzi</b>	Compressed air, vacuum, inert gases
<b>Pressione d'esercizio</b>	-0,99 bar - 15 bar
<b>Campo della temperatura:</b>	-20 °C to +80 °C
<b>Guarnizione</b>	NBR
<b>Alloggiamento</b>	Nickel-plated brass
<b>Anello di serraggio</b>	Stainless steel 1.4301
<b>Dado</b>	Nickel-plated brass
<b>O-ring</b>	NBR
<b>Anello di arresto</b>	Technopolymer



## Articolo

Denominazione	Ø esterno del tubo	Attacco	A (mm)	B (mm)	E (mm)	L (mm)	SW1 (mm)	SW2 (mm)
K- 07 40 53 44	20 mm	G 1/2"	15,0	31,5	34,5	49,0	24	30
K- 07 40 53 45	25 mm	G 3/4	16,5	38,5	42,5	56,5	32	35
K- 07 40 53 46	32 mm	G 1	19,0	46,0	52,0	66,5	38	45
K- 07 40 53 47	40 mm	G 1 1/4	22,0	52,0	63,0	76,0	50	55
K- 07 40 53 48	50 mm	G 1 1/2	22,0	63,5	73,0	85,5	55	65