

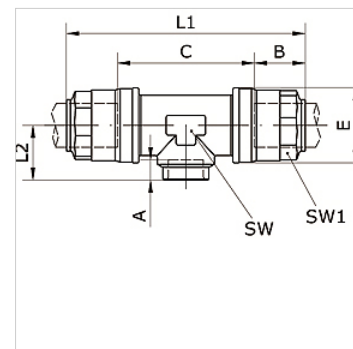
K-T STECK VB SCHANH IG 20-63 INFI

T-push-in connector Ø 20 mm – Ø 63 mm with integrated gooseneck and internal thread

HANSA FLEX

Caratteristiche

Mezzi	Compressed air, vacuum, inert gases
Pressione d'esercizio	-0,99 bar - 15 bar
Campo della temperatura:	-20 °C to +80 °C
Guarnizione	NBR
Alloggiamento	Nickel-plated brass
Anello di serraggio	Stainless steel 1.4301
Dado	Nickel-plated brass
O-ring	NBR
Anello di arresto	Technopolymer



Articolo

Denominazione	Ø esterno del tubo	Attacco	A (mm)	B (mm)	C (mm)	E (mm)	L1 (mm)	L2 (mm)	SW (mm)	SW1 (mm)
K- 07 40 54 04	20 mm	G 3/8	11,0	31,5	48,0	34,5	109,0	25,0	28	30
K- 07 40 54 05	20 mm	G 1/2"	13,5	31,5	48,0	34,5	109,0	28,0	28	30
K- 07 40 54 06	25 mm	G 3/8	11,0	38,5	45,5	42,5	121,5	29,0	35	35
K- 07 40 54 07	25 mm	G 1/2"	13,5	38,5	45,5	42,5	121,5	31,0	35	35
K- 07 40 54 08	32 mm	G 1/2"	13,5	46,0	54,5	52,0	146,5	36,5	45	45
K- 07 40 54 09	40 mm	G 1/2"	13,5	52,5	60,0	63,0	165,5	41,5	55	55
K- 07 40 54 10	50 mm	G 3/4	14,5	63,5	73,5	73,0	201,0	47,5	65	65