

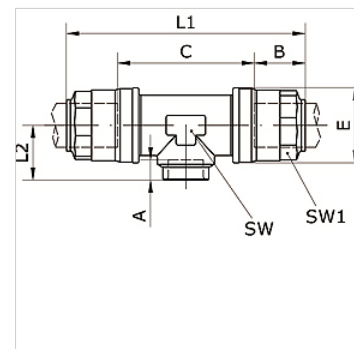
# K-T-STECK VB 20-63 SCHANH IG INFI

T-push-in connector Ø 20 mm – Ø 63 mm with integrated gooseneck and internal thread

**HANSA FLEX**

## Caratteristiche

<b>Mezzi</b>	Compressed air, vacuum, inert gases
<b>Pressione d'esercizio</b>	-0,99 bar - 15 bar
<b>Campo della temperatura:</b>	-20 °C to +80 °C
<b>Guarnizione</b>	NBR
<b>Alloggiamento</b>	Aluminium
<b>Anello di serraggio</b>	Stainless steel 1.4301
<b>Dado</b>	Aluminium
<b>O-ring</b>	NBR
<b>Anello di arresto</b>	Technopolymer



## Articolo

Denominazione	Ø esterno del tubo	Attacco	A (mm)	B (mm)	C (mm)	E (mm)	L1 (mm)	L2 (mm)	SW (mm)	SW1 (mm)
<b>K- 07 40 55 02</b>	63 mm	G 1/2"	13,5	57,5	88,0	94,0	203,0	53,0	80	75
<b>K- 07 40 55 01</b>	63 mm	G 3/4	14,5	57,5	88,0	94,0	203,0	54,0	80	75
<b>K- 07 40 55 03</b>	63 mm	G 1	17,5	57,5	88,0	94,0	203,0	56,5	80	75