

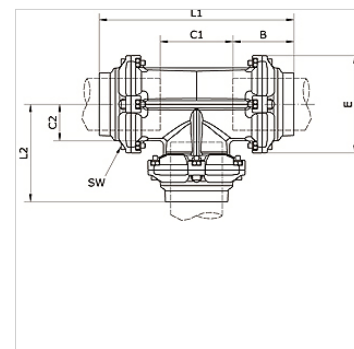
K-T-STECK VB 80-100 INFI

T-push-in connector Ø 80 mm/Ø 110 mm

HANSA FLEX

Caratteristiche

| | |
|---------------------------------|-------------------------------------|
| Mezzi | Compressed air, vacuum, inert gases |
| Pressione d'esercizio | -0,99 bar - 15 bar |
| Campo della temperatura: | -20 °C to +80 °C |
| Anello guida | Technopolymer |
| Alloggiamento | Aluminium, treated surface |
| Vite a brugola | Galvanised steel |
| Anello di serraggio | Stainless steel 1.4301 |
| Dado | Aluminium, surface treated |
| O-ring | NBR |
| dado autobloccante | Galvanised steel |
| Anello di arresto | Technopolymer |



Articolo

| Denominazione | Ø esterno del tubo | B (mm) | C1 (mm) | C2 (mm) | E (mm) | L1 (mm) | L2 (mm) | SW (mm) |
|-----------------------|--------------------|-----------|------------|------------|-----------|------------|------------|------------|
| K- 07 40 55 16 | 80 - 80 - 80 mm | 91,0 | 109,0 | 54,5 | 145,0 | 291,5 | 138,0 | 6 |
| K- 07 40 54 67 | 110 - 110 - 110 mm | 125,5 | 150,5 | 75,0 | 200,0 | 401,0 | 200,5 | 8 |