

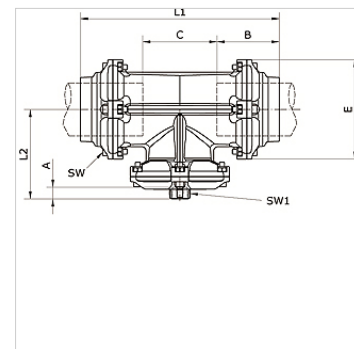
# K-T-STECK VB 80-100 RED ABG INFI

T-push-in connector Ø 80 mm/Ø 110 mm with reduced outlet and female thread

**HANSA FLEX**

## Caratteristiche

<b>Mezzi</b>	Compressed air, vacuum, inert gases
<b>Pressione d'esercizio</b>	-0,99 bar - 15 bar
<b>Campo della temperatura:</b>	-20 °C to +80 °C
<b>Anello guida</b>	Technopolymer
<b>Alloggiamento</b>	Aluminium, treated surface
<b>Vite a brugola</b>	Galvanised steel
<b>Anello di serraggio</b>	Stainless steel 1.4301
<b>Dado</b>	Aluminium, surface treated
<b>O-ring</b>	NBR
<b>dado autobloccante</b>	Galvanised steel
<b>Anello di arresto</b>	Technopolymer



## Articolo

Denominazione	Ø esterno del tubo	Attacco	A (mm)	B (mm)	C (mm)	E (mm)	L1 (mm)	L2 (mm)	SW (mm)	SW1 (mm)
<b>K- 07 40 55 21</b>	80 - 80 mm	G 3/4	14,5	91,0	109,0	145,0	291,5	138,0	6	42
<b>K- 07 40 54 68</b>	110 - 110 mm	G 3/4	14,5	125,5	150,5	200,0	401,0	180,0	8	42