

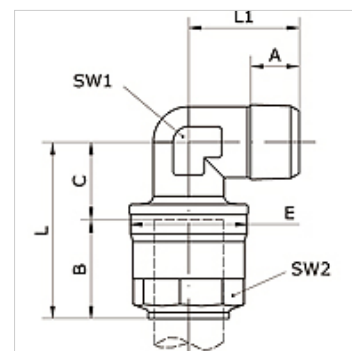
# K-W90 STECK AG 20-63 INFI

90°-elbow push-in connector Ø 20 mm – Ø 63 mm with external thread

**HANSA FLEX**

## Caratteristiche

|                          |                                     |
|--------------------------|-------------------------------------|
| Mezzi                    | Compressed air, vacuum, inert gases |
| Pressione d'esercizio    | -0,99 bar - 15 bar                  |
| Campo della temperatura: | -20 °C to +80 °C                    |
| Guarnizione              | NBR                                 |
| Alloggiamento            | Nickel-plated brass                 |
| Anello di serraggio      | Stainless steel 1.4301              |
| Dado                     | Nickel-plated brass                 |
| O-ring                   | NBR                                 |
| Anello di arresto        | Technopolymer                       |



## Articolo

| Denominazione  | Ø esterno del tubo | Attacco | A<br>(mm) | B<br>(mm) | C<br>(mm) | E<br>(mm) | L<br>(mm) | L1<br>(mm) | SW1<br>(mm) | SW2<br>(mm) |
|----------------|--------------------|---------|-----------|-----------|-----------|-----------|-----------|------------|-------------|-------------|
| K- 07 40 53 68 | 20 mm              | R 1/2   | 14,0      | 31,5      | 19,0      | 34,5      | 51,0      | 32,0       | 21          | 30          |
| K- 07 40 53 69 | 25 mm              | R 3/4   | 16,5      | 38,5      | 23,0      | 42,5      | 61,5      | 37,0       | 26          | 35          |
| K- 07 40 53 70 | 32 mm              | R 1     | 19,0      | 46,0      | 28,0      | 52,0      | 74,5      | 49,0       | 34          | 45          |
| K- 07 40 53 71 | 40 mm              | R 1 1/4 | 21,5      | 52,0      | 34,0      | 63,0      | 86,5      | 54,0       | 41          | 55          |
| K- 07 40 53 72 | 50 mm              | R 1 1/2 | 21,5      | 63,5      | 40,5      | 73,0      | 104,0     | 59,0       | 50          | 65          |