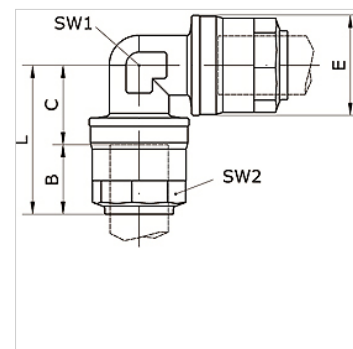


# K-W90 STECK VB 20-63 INFI

90°-elbow push-in connector Ø 20 mm – Ø 63 mm

## Caratteristiche

<b>Mezzi</b>	Compressed air, vacuum, inert gases
<b>Pressione d'esercizio</b>	-0,99 bar - 15 bar
<b>Campo della temperatura:</b>	-20 °C to +80 °C
<b>Guarnizione</b>	NBR
<b>Alloggiamento</b>	Nickel-plated brass
<b>Anello di serraggio</b>	Stainless steel 1.4301
<b>Dado</b>	Nickel-plated brass
<b>O-ring</b>	NBR
<b>Anello di arresto</b>	Technopolymer



## Articolo

Denominazione	Ø esterno del tubo	B (mm)	C (mm)	E (mm)	L (mm)	SW1 (mm)	SW2 (mm)
K- 07 40 53 56	20 mm	31,5	19,0	34,5	51,0	21	30
K- 07 40 53 57	25 mm	38,5	23,0	42,5	61,5	26	35
K- 07 40 53 58	32 mm	46,0	28,0	52,0	74,5	34	45
K- 07 40 53 59	40 mm	52,0	34,0	63,0	86,5	41	55
K- 07 40 53 60	50 mm	63,5	40,5	73,0	104,0	50	65
K- 07 40 54 98	63 mm	57,5	55,5	94,0	113,0	73	75