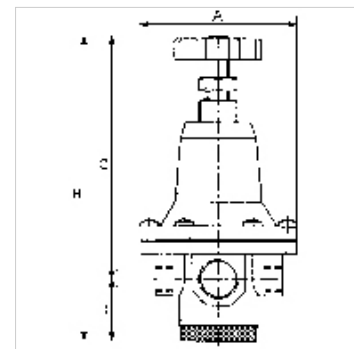


K-DBV MANO 1/2"

Pressure limiting valves size 1/2"

Caratteristiche

Tipo	Spring-loaded, non-return diaphragm valve with adjustable opening pressure
Temperatura del fluido	max. 60 °C
Temperatura ambiente	Max. 60 °C
Materiale di tenuta	NBR
Calotta elastica	POM/brass
Alloggiamento	Die-cast zinc, painted silver
Membrana	NBR



Nota

Altri dati su richiesta.

Descrizione

Manually adjustable overflow valves. For protecting pneumatic systems against damage caused by excess pressure.

Articolo

Denominazione	Filetto	Intervallo di regolazione	A (mm)	B	C (mm)	D (mm)
K- 07 25 01 97	G 1/2	0.5 - 3.0 bar	82,0	162,0 mm	129,0	33,0
K- 07 25 01 98	G 1/2	0.5 - 5.5 bar	82,0	162,0 mm	129,0	33,0
K- 07 25 01 99	G 1/2	0.5 - 10.0 bar	82,0	162,0 mm	129,0	33,0

Parti di ricambio

K-HALTERBAUSATZ STANDARD	Holder
K-GERAETESTECKER	Coupling socket
K-SCHALLDAE SINTERBR AG 569	Silencers, sintered bronze, flat type with male thread, 569 Series
K-VERSCHLEI-SATZ	Set of wearing parts
K-KM MS	Hexagonal lock nuts, brass