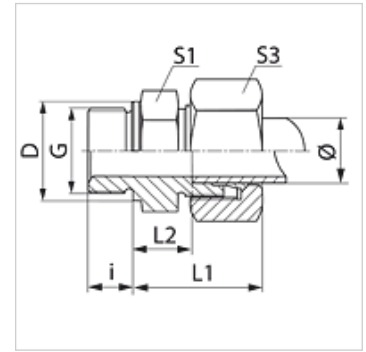


### Savybės

|                     |  |
|---------------------|--|
| 1 jungtis           | metrinis cilindrinis išorinis sriegis        |
| 1 sandarinimo forma | B forma                                      |
| 2 jungtis           | metrinis cilindrinis išorinis sriegis        |
| 2 sandarinimo forma | 24° vidinis kūgis                            |
| Konstrukcija        | Įsukama srieginė jungtis                     |
| Gaminio forma       | tiesus                                       |
| Norma               | DIN 2353<br>ISO 8434-1                       |
| Tiekimo apimtis     | Antgalis su užmetama veržle ir pjovimo žiedu |
| Medžiaga            | nerūdijantysis plienas                       |



### Nuoroda

Nuorodų dėl montavimo, įstatymo, slėginės apkrovos ir leidžiamų darbinių temperatūrų žr. srieginių vamzdžių jungčių techninės informacijos dokumentacijoje.

### Prekė

| Pavadinimas       | Serija | Darbinis slėgis bar | Vamzdžio išorinis Ø (mm) | G          | D (mm) | i (mm) | L1 (mm) | L2 (mm) | S1 | S3 |
|-------------------|--------|---------------------|--------------------------|------------|--------|--------|---------|---------|----|----|
| VM NW 04 HL VA    | L      | PN 315              | 6                        | M 10 x 1   | 14     | 8,0    | 23,0    | 8,5     | 14 | 14 |
| VM NW 04 HL 12 VA | L      | PN 315              | 6                        | M 12 x 1,5 | 17     | 12,0   | 25,0    | 10,0    | 17 | 14 |
| VM NW 04 HL 14 VA | L      | PN 315              | 6                        | M 14 x 1,5 | 19     | 12,0   | 25,0    | 10,0    | 19 | 14 |
| VM NW 06 HL VA    | L      | PN 315              | 8                        | M 12 x 1,5 | 17     | 12,0   | 25,0    | 10,0    | 17 | 17 |
| VM NW 06 HL 10 VA | L      | PN 315              | 8                        | M 10 x 1   | 17     | 8,0    | 25,0    | 10,0    | 17 | 17 |
| VM NW 06 HL 14 VA | L      | PN 315              | 8                        | M 14 x 1,5 | 19     | 12,0   | 25,0    | 10,0    | 19 | 17 |
| VM NW 06 HL 16 VA | L      | PN 315              | 8                        | M 16 x 1,5 | 21     | 12,0   | 26,0    | 11,5    | 22 | 17 |
| VM NW 06 HL 18 VA | L      | PN 315              | 8                        | M 18 x 1,5 | 23     | 12,0   | 26,0    | 11,5    | 24 | 17 |
| VM NW 08 HL VA    | L      | PN 315              | 10                       | M 14 x 1,5 | 19     | 12,0   | 26,0    | 11,0    | 19 | 19 |
| VM NW 08 HL 10 VA | L      | PN 315              | 10                       | M 10 x 1   | 14     | 8,0    | 26,0    | 11,0    | 17 | 19 |
| VM NW 08 HL 12 VA | L      | PN 315              | 10                       | M 12 x 1,5 | 17     | 12,0   | 26,0    | 11,0    | 17 | 19 |
| VM NW 08 HL 16 VA | L      | PN 315              | 10                       | M 16 x 1,5 | 22     | 12,0   | 27,5    | 12,5    | 22 | 19 |
| VM NW 08 HL 18 VA | L      | PN 315              | 10                       | M 18 x 1,5 | 23     | 12,0   | 27,5    | 12,5    | 24 | 19 |
| VM NW 08 HL 22 VA | L      | PN 315              | 10                       | M 22 x 1,5 | 27     | 14,0   | 29,0    | 14,0    | 27 | 19 |
| VM NW 10 HL VA    | L      | PN 315              | 12                       | M 16 x 1,5 | 21     | 12,0   | 27,0    | 12,5    | 22 | 22 |
| VM NW 10 HL 12 VA | L      | PN 315              | 12                       | M 12 x 1,5 | 17     | 12,0   | 26,0    | 11,0    | 19 | 22 |
| VM NW 10 HL 14 VA | L      | PN 315              | 12                       | M 14 x 1,5 | 19     | 12,0   | 27,0    | 12,5    | 22 | 22 |
| VM NW 10 HL 18 VA | L      | PN 315              | 12                       | M 18 x 1,5 | 23     | 12,0   | 27,0    | 12,5    | 24 | 22 |
| VM NW 10 HL 22 VA | L      | PN 315              | 12                       | M 22 x 1,5 | 27     | 14,0   | 28,5    | 14,0    | 27 | 22 |
| VM NW 13 HL VA    | L      | PN 315              | 15                       | M 18 x 1,5 | 23     | 12,0   | 29,0    | 13,5    | 24 | 27 |
| VM NW 13 HL 16 VA | L      | PN 315              | 15                       | M 16 x 1,5 | 21     | 12,0   | 29,0    | 13,5    | 24 | 27 |
| VM NW 13 HL 22 VA | L      | PN 315              | 15                       | M 22 x 1,5 | 27     | 14,0   | 30,5    | 15,0    | 27 | 27 |
| VM NW 16 HL VA    | L      | PN 315              | 18                       | M 22 x 1,5 | 27     | 14,0   | 31,0    | 14,5    | 27 | 32 |
| VM NW 16 HL 18 VA | L      | PN 315              | 18                       | M 18 x 1,5 | 23     | 12,0   | 30,5    | 14,0    | 27 | 32 |
| VM NW 16 HL 26 VA | L      | PN 315              | 18                       | M 26 x 1,5 | 31     | 16,0   | 31,0    | 14,5    | 32 | 32 |
| VM NW 20 HL VA    | L      | PN 160              | 22                       | M 26 x 1,5 | 31     | 16,0   | 33,0    | 16,5    | 32 | 36 |
| VM NW 25 HL VA    | L      | PN 160              | 28                       | M 33 x 2   | 39     | 18,0   | 34,0    | 17,5    | 41 | 41 |
| VM NW 32 HL VA    | L      | PN 160              | 35                       | M 42 x 2   | 49     | 20,0   | 39,0    | 17,5    | 50 | 50 |
| VM NW 40 HL VA    | L      | PN 160              | 42                       | M 48 x 2   | 55     | 22,0   | 42,0    | 19,0    | 55 | 60 |
| VM NW 03 HS VA    | S      | PN 400              | 6                        | M 12 x 1,5 | 17     | 12,0   | 28,0    | 13,0    | 17 | 17 |
| VM NW 03 HS 14 VA | S      | PN 400              | 6                        | M 14 x 1,5 | 19     | 12,0   | 30,0    | 15,0    | 19 | 17 |
| VM NW 03 HS 16 VA | S      | PN 400              | 6                        | M 16 x 1,5 | 21     | 12,0   | 28,0    | 13,0    | 17 | 17 |
| VM NW 04 HS VA    | S      | PN 400              | 8                        | M 14 x 1,5 | 19     | 12,0   | 30,0    | 15,0    | 19 | 19 |
| VM NW 06 HS VA    | S      | PN 400              | 10                       | M 16 x 1,5 | 21     | 12,0   | 31,0    | 15,0    | 22 | 22 |
| VM NW 08 HS VA    | S      | PN 400              | 12                       | M 18 x 1,5 | 23     | 12,0   | 33,0    | 17,0    | 24 | 24 |
| VM NW 08 HS 14 VA | S      | PN 400              | 12                       | M 14 x 1,5 | 21     | 12,0   | 33,0    | 17,0    | 19 | 24 |
| VM NW 10 HS VA    | S      | PN 400              | 14                       | M 20 x 1,5 | 25     | 14,0   | 37,0    | 19,0    | 27 | 27 |
| VM NW 13 HS VA    | S      | PN 400              | 16                       | M 22 x 1,5 | 27     | 14,0   | 37,0    | 18,5    | 27 | 30 |
| VM NW 13 HS 18 VA | S      | PN 400              | 16                       | M 18 x 1,5 | 23     | 12,0   | 37,0    | 18,5    | 27 | 30 |
| VM NW 16 HS VA    | S      | PN 400              | 20                       | M 27 x 2   | 32     | 16,0   | 42,0    | 20,5    | 32 | 36 |
| VM NW 20 HS VA    | S      | PN 250              | 25                       | M 33 x 2   | 39     | 18,0   | 47,0    | 23,0    | 41 | 46 |
| VM NW 25 HS VA    | S      | PN 160              | 30                       | M 42 x 2   | 49     | 20,0   | 50,0    | 23,5    | 50 | 50 |
| VM NW 32 HS VA    | S      | PN 160              | 38                       | M 48 x 2   | 55     | 22,0   | 57,0    | 26,0    | 55 | 60 |



# VM VA

Įsukama srieginė jungtis

## Gaminių variantai

|               |  |
|---------------|--|
| <b>VM</b>     | Įsukama srieginė jungtis, Plienas                |
| <b>VM MG</b>  | Įsukama srieginė jungtis, žalvaris               |
| <b>XVM VA</b> | Įsukama srieginė jungtis, nerūdijantysis plienas |