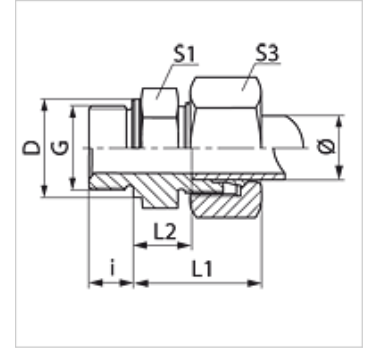


### Savybės

|                     |  |
|---------------------|--|
| 1 jungtis           | cilindrinis BSP išorinis sriegis             |
| 1 sandarinimo forma | B forma                                      |
| 2 jungtis           | metrinis cilindrinis išorinis sriegis        |
| 2 sandarinimo forma | 24° vidinis kūgis                            |
| Konstrukcija        | Įsukama srieginė jungtis                     |
| Gaminio forma       | tiesus                                       |
| Norma               | DIN 2353<br>ISO 8434-1                       |
| Tiekimo apimtis     | Antgalis su užmetama veržle ir pjovimo žiedu |
| Medžiaga            | nerūdijantysis plienas                       |



### Nuoroda

Nuorodų dėl montavimo, įstatymo, slėginės apkrovos ir leidžiamų darbinų temperatūrų žr. srieginių vamzdžių jungčių techninės informacijos dokumentacijoje.

### Prekė

| Pavadinimas          | Serijs | Darbinis slėgis bar | Vamzdžio išorinis Ø (mm) | G            | D (mm) | i (mm) | L1 (mm) | L2 (mm) | S1 | S3 |
|----------------------|--------|---------------------|--------------------------|--------------|--------|--------|---------|---------|----|----|
| VR NW 04 HL VA       | L      | PN 315              | 6                        | G 1/8" -28   | 14     | 8      | 23,0    | 8,5     | 14 | 14 |
| VR NW 04 HL 1/4 VA   | L      | PN 315              | 6                        | G 1/4" -19   | 18     | 12     | 24,5    | 10,0    | 19 | 14 |
| VR NW 04 HL 3/8 VA   | L      | PN 315              | 6                        | G 3/8" -19   | 22     | 12     | 26,0    | 11,5    | 22 | 14 |
| VR NW 04 HL 1/2 VA   | L      | PN 315              | 6                        | G 1/2" -14   | 26     | 14     | 26,5    | 12,0    | 27 | 14 |
| VR NW 06 HL 1/8 VA   | L      | PN 315              | 8                        | G 1/8" -28   | 14     | 8      | 24,0    | 9,0     | 14 | 17 |
| VR NW 06 HL VA       | L      | PN 315              | 8                        | G 1/4" -19   | 18     | 12     | 25,0    | 10,0    | 19 | 17 |
| VR NW 06 HL 3/8 VA   | L      | PN 315              | 8                        | G 3/8" -19   | 22     | 12     | 26,5    | 11,5    | 22 | 17 |
| VR NW 06 HL 1/2 VA   | L      | PN 315              | 8                        | G 1/2" -14   | 26     | 14     | 27,0    | 12,0    | 27 | 17 |
| VR NW 08 HL 1/8 VA   | L      | PN 315              | 10                       | G 1/8" -28   | 14     | 8      | 25,5    | 10,5    | 17 | 19 |
| VR NW 08 HL VA       | L      | PN 315              | 10                       | G 1/4" -19   | 18     | 12     | 26,0    | 11,0    | 19 | 19 |
| VR NW 08 HL 3/8 VA   | L      | PN 315              | 10                       | G 3/8" -19   | 22     | 12     | 27,5    | 12,5    | 22 | 19 |
| VR NW 08 HL 1/2 VA   | L      | PN 315              | 10                       | G 1/2" -14   | 26     | 14     | 28,0    | 13,0    | 27 | 19 |
| VR NW 08 HL 3/4 VA   | L      | PN 315              | 10                       | G 3/4" -14   | 32     | 16     | 31,0    | 14,0    | 32 | 19 |
| VR NW 10 HL 1/8 VA   | L      | PN 315              | 12                       | G 1/8" -28   | 14     | 8      | 27,0    | 12,0    | 17 | 22 |
| VR NW 10 HL 1/4 VA   | L      | PN 315              | 12                       | G 1/4" -19   | 18     | 12     | 26,5    | 12,0    | 19 | 22 |
| VR NW 10 HL VA       | L      | PN 315              | 12                       | G 3/8" -19   | 22     | 12     | 27,0    | 12,5    | 22 | 22 |
| VR NW 10 HL 1/2 VA   | L      | PN 315              | 12                       | G 1/2" -14   | 26     | 14     | 27,5    | 13,0    | 27 | 22 |
| VR NW 10 HL 3/4 VA   | L      | PN 315              | 12                       | G 3/4" -14   | 32     | 16     | 28,5    | 14,0    | 32 | 22 |
| VR NW 13 HL 1/4 VA   | L      | PN 315              | 15                       | G 1/4" -19   | 18     | 12     | 29,0    | 14,0    | 19 | 27 |
| VR NW 13 HL VA       | L      | PN 315              | 15                       | G 1/2" -14   | 26     | 14     | 29,0    | 14,0    | 27 | 27 |
| VR NW 13 HL 3/8 VA   | L      | PN 315              | 15                       | G 3/8" -19   | 22     | 12     | 29,0    | 14,0    | 24 | 27 |
| VR NW 13 HL 3/4 VA   | L      | PN 315              | 15                       | G 3/4" -14   | 32     | 16     | 30,0    | 15,0    | 32 | 27 |
| VR NW 16 HL VA       | L      | PN 315              | 18                       | G 1/2" -14   | 26     | 14     | 31,0    | 14,5    | 27 | 32 |
| VR NW 16 HL 3/8 VA   | L      | PN 315              | 18                       | G 3/8" -19   | 22     | 12     | 30,5    | 14,0    | 27 | 32 |
| VR NW 16 HL 3/4 VA   | L      | PN 315              | 18                       | G 3/4" -14   | 32     | 16     | 31,0    | 14,5    | 32 | 32 |
| VR NW 16 HL 1 VA     | L      | PN 315              | 18                       | G 1" -11     | 39     | 18     | 31,0    | 17,5    | 41 | 32 |
| VR NW 20 HL 3/8 VA   | L      | PN 160              | 22                       | G 3/8" -19   | 22     | 12     | 49,0    | 16,0    | 32 | 36 |
| VR NW 20 HL 1/2 VA   | L      | PN 160              | 22                       | G 1/2" -14   | 26     | 14     | 33,0    | 16,5    | 32 | 36 |
| VR NW 20 HL VA       | L      | PN 160              | 22                       | G 3/4" -14   | 32     | 16     | 33,0    | 16,5    | 32 | 36 |
| VR NW 20 HL 1 VA     | L      | PN 160              | 22                       | G 1" -11     | 39     | 18     | 34,0    | 17,5    | 41 | 36 |
| VR NW 20 HL 1 1/4 VA | L      | PN 160              | 22                       | G 1.1/4" -11 | 49     | 20     | 39,0    | 17,5    | 50 | 36 |
| VR NW 25 HL 1/2 VA   | L      | PN 160              | 28                       | G 1/2" -14   | 26     | 14     | 33,0    | 18,5    | 41 | 41 |
| VR NW 25 HL 3/4 VA   | L      | PN 160              | 28                       | G 3/4" -14   | 32     | 16     | 34,0    | 17,5    | 41 | 41 |
| VR NW 25 HL VA       | L      | PN 160              | 28                       | G 1" -11     | 39     | 18     | 34,0    | 17,5    | 41 | 41 |
| VR NW 25 HL 1 1/4 VA | L      | PN 160              | 28                       | G 1.1/4" -11 | 49     | 20     | 39,0    | 17,5    | 50 | 41 |
| VR NW 32 HL 1/2 VA   | L      | PN 160              | 35                       | G 1/2" -14   | 26     | 14     | 39,0    | 17,5    | 46 | 50 |
| VR NW 32 HL 3/4 VA   | L      | PN 160              | 35                       | G 3/4" -14   | 32     | 16     | 39,0    | 17,5    | 41 | 50 |
| VR NW 32 HL 1 VA     | L      | PN 160              | 35                       | G 1" -11     | 39     | 18     | 40,0    | 18,5    | 50 | 50 |
| VR NW 32 HL VA       | L      | PN 160              | 35                       | G 1.1/4" -11 | 49     | 20     | 39,0    | 17,5    | 50 | 50 |
| VR NW 32 HL 1 1/2 VA | L      | PN 160              | 35                       | G 1.1/2" -11 | 55     | 22     | 40,0    | 19,0    | 55 | 50 |
| VR NW 40 HL 1 VA     | L      | PN 160              | 42                       | G 1" -11     | 39     | 18     | 47,0    | 19,0    | 55 | 60 |
| VR NW 40 HL 1 1/4 VA | L      | PN 160              | 42                       | G 1.1/4" -11 | 49     | 20     | 42,0    | 17,5    | 50 | 60 |
| VR NW 40 HL VA       | L      | PN 160              | 42                       | G 1.1/2" -11 | 55     | 22     | 42,0    | 19,0    | 55 | 60 |



## Prekė

| Pavadinimas          | Serija | Darbinis slėgis bar | Vamzdžio išorinis Ø (mm) | G            | D (mm) | i (mm) | L1 (mm) | L2 (mm) | S1 | S3 |
|----------------------|--------|---------------------|--------------------------|--------------|--------|--------|---------|---------|----|----|
| VR NW 03 HS 1/8 VA   | S      | PN 400              | 6                        | G 1/8" -28   | 14     | 8      | 28,0    | 12,0    | 17 | 17 |
| VR NW 03 HS VA       | S      | PN 400              | 6                        | G 1/4" -19   | 18     | 12     | 28,0    | 13,0    | 19 | 17 |
| VR NW 03 HS 3/8 VA   | S      | PN 400              | 6                        | G 3/8" -19   | 22     | 12     | 32,5    | 17,5    | 22 | 17 |
| VR NW 03 HS 1/2 VA   | S      | PN 400              | 6                        | G 1/2" -14   | 26     | 14     | 33,0    | 18,0    | 27 | 17 |
| VR NW 03 HS 3/4 VA   | S      | PN 400              | 6                        | G 3/4" -14   | 32     | 16     | 36,0    | 17,5    | 32 | 19 |
| VR NW 04 HS 1/8 VA   | S      | PN 400              | 8                        | G 1/8" -28   | 14     | 12     | 30,0    | 15,0    | 19 | 19 |
| VR NW 04 HS VA       | S      | PN 400              | 8                        | G 1/4" -19   | 18     | 12     | 30,0    | 15,0    | 19 | 19 |
| VR NW 04 HS 3/8 VA   | S      | PN 400              | 8                        | G 3/8" -19   | 22     | 12     | 30,5    | 15,5    | 22 | 19 |
| VR NW 04 HS 1/2 VA   | S      | PN 400              | 8                        | G 1/2" -14   | 26     | 14     | 34,0    | 17,5    | 27 | 19 |
| VR NW 06 HS VA       | S      | PN 400              | 10                       | G 3/8" -19   | 22     | 12     | 31,0    | 15,0    | 22 | 22 |
| VR NW 06 HS 1/8 VA   | S      | PN 400              | 10                       | G 1/8" -28   | 14     | 8      | 28,0    | 13,5    | 19 | 22 |
| VR NW 06 HS 1/4 VA   | S      | PN 400              | 10                       | G 1/4" -19   | 18     | 12     | 30,5    | 14,5    | 22 | 22 |
| VR NW 06 HS 1/2 VA   | S      | PN 400              | 10                       | G 1/2" -14   | 26     | 14     | 33,5    | 17,5    | 27 | 22 |
| VR NW 06 HS 3/4 VA   | S      | PN 400              | 10                       | G 3/4" -14   | 32     | 16     | 36,0    | 17,5    | 32 | 22 |
| VR NW 08 HS VA       | S      | PN 400              | 12                       | G 3/8" -19   | 22     | 12     | 33,0    | 17,0    | 22 | 24 |
| VR NW 08 HS 1/4 VA   | S      | PN 400              | 12                       | G 1/4" -19   | 18     | 12     | 32,5    | 16,5    | 22 | 24 |
| VR NW 08 HS 1/2 VA   | S      | PN 400              | 12                       | G 1/2" -14   | 26     | 14     | 33,5    | 17,5    | 27 | 24 |
| VR NW 08 HS 3/4 VA   | S      | PN 400              | 12                       | G 3/4" -14   | 32     | 16     | 35,0    | 19,0    | 32 | 24 |
| VR NW 10 HS 1/4 VA   | S      | PN 400              | 14                       | G 1/4" -19   | 18     | 12     | 34,0    | 16,0    | 24 | 27 |
| VR NW 10 HS VA       | S      | PN 400              | 14                       | G 1/2" -14   | 26     | 14     | 37,0    | 19,0    | 27 | 27 |
| VR NW 10 HS 3/8 VA   | S      | PN 400              | 14                       | G 3/8" -19   | 22     | 12     | 36,5    | 18,5    | 24 | 27 |
| VR NW 10 HS 3/4 VA   | S      | PN 400              | 14                       | G 3/4" -14   | 32     | 16     | 36,5    | 18,5    | 32 | 27 |
| VR NW 10 HS 1 VA     | S      | PN 630              | 14                       | G 1" -11     | 39     | 18     | 41,0    | 23,0    | 41 | 27 |
| VR NW 13 HS 1/4 VA   | S      | PN 400              | 16                       | G 1/4" -19   | 22     | 12     | 37,0    | 18,5    | 27 | 30 |
| VR NW 13 HS VA       | S      | PN 400              | 16                       | G 1/2" -14   | 26     | 14     | 37,0    | 18,5    | 27 | 30 |
| VR NW 13 HS 3/8 VA   | S      | PN 400              | 16                       | G 3/8" -19   | 22     | 12     | 37,0    | 18,5    | 27 | 30 |
| VR NW 13 HS 3/4 VA   | S      | PN 400              | 16                       | G 3/4" -14   | 32     | 16     | 39,0    | 20,5    | 32 | 30 |
| VR NW 13 HS 1 VA     | S      | PN 400              | 16                       | G 1" -11     | 39     | 18     | 43,5    | 22,5    | 41 | 30 |
| VR NW 16 HS 3/8 VA   | S      | PN 400              | 20                       | G 3/8" -19   | 22     | 12     | 40,5    | 18,0    | 32 | 36 |
| VR NW 16 HS 1/2 VA   | S      | PN 400              | 20                       | G 1/2" -14   | 26     | 14     | 44,0    | 22,5    | 32 | 36 |
| VR NW 16 HS VA       | S      | PN 400              | 20                       | G 3/4" -14   | 39     | 18     | 44,0    | 22,5    | 32 | 36 |
| VR NW 16 HS 1 VA     | S      | PN 250              | 20                       | G 1" -11     | 39     | 18     | 42,0    | 17,5    | 41 | 36 |
| VR NW 16 HS 1 1/4 VA | S      | PN 400              | 20                       | G 1.1/4" -11 | 49     | 20     | 50,0    | 22,5    | 50 | 36 |
| VR NW 16 HS 1 1/2 VA | S      | PN 400              | 20                       | G 1.1/2" -11 | 55     | 22     | 47,0    | 25,5    | 55 | 36 |
| VR NW 20 HS 1/2 VA   | S      | PN 250              | 25                       | G 1/2" -14   | 26     | 14     | 47,0    | 26,5    | 41 | 46 |
| VR NW 20 HS 3/4 VA   | S      | PN 250              | 25                       | G 3/4" -14   | 32     | 16     | 47,0    | 23,0    | 41 | 46 |
| VR NW 20 HS VA       | S      | PN 250              | 25                       | G 1" -11     | 39     | 18     | 47,0    | 23,0    | 41 | 46 |
| VR NW 20 HS 1 1/4 VA | S      | PN 160              | 25                       | G 1.1/4" -11 | 49     | 20     | 47,0    | 23,0    | 50 | 46 |
| VR NW 20 HS 1 1/2 VA | S      | PN 400              | 25                       | G 1.1/2" -11 | 55     | 22     | 50,0    | 26,0    | 55 | 46 |
| VR NW 25 HS 3/4 VA   | S      | PN 160              | 30                       | G 3/4" -14   | 32     | 16     | 50,0    | 23,5    | 46 | 50 |
| VR NW 25 HS 1 VA     | S      | PN 160              | 30                       | G 1" -11     | 39     | 18     | 50,0    | 23,5    | 46 | 50 |
| VR NW 25 HS VA       | S      | PN 160              | 30                       | G 1.1/4" -11 | 49     | 20     | 50,0    | 23,5    | 50 | 50 |
| VR NW 25 HS 1 1/2 VA | S      | PN 160              | 30                       | G 1.1/2" -11 | 55     | 22     | 50,0    | 23,5    | 55 | 50 |
| VR NW 32 HS VA       | S      | PN 160              | 38                       | G 1.1/2" -11 | 55     | 22     | 57,0    | 26,0    | 55 | 60 |
| VR NW 32 HS 1 VA     | S      | PN 160              | 38                       | G 1" -11     | 39     | 18     | 57,0    | 26,0    | 55 | 60 |
| VR NW 32 HS 1 1/4 VA | S      | PN 160              | 38                       | G 1.1/4" -11 | 49     | 20     | 57,0    | 26,0    | 55 | 60 |

Serija: LL = labai lengvas L = lengvas S = sunkus - PN = nominalusis slėgis PB = maks. darbinis slėgis - Ø = išorinis vamzdžio skersmuo

## Gaminių variantai

|        |  |
|--------|--|
| VR     | Įsukama srieginė jungtis, Plienas                |
| VR MG  | Įsukama srieginė jungtis, žalvaris               |
| XVR VA | Įsukama srieginė jungtis, nerūdijantysis plienas |