

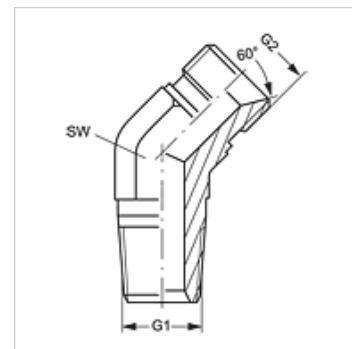
# W45 HRK HB

Įsukamas antgalis, 45° kampas

**HANSA FLEX**

## Savybės

1 jungtis	kūginis BSPT išorinis sriegis
1 sandarinimo forma	sandarinamasis sriegis
2 jungtis	cilindrinis BSP išorinis sriegis
2 sandarinimo forma	60° vidinis kūgis
Konstrukcija	Įsukamas antgalis
Gaminio forma	45° kampas
Medžiaga	Plienas
Paviršiaus apsauga	padengtas galvaniniu būdu



## Prekė

Pavadinimas	G1	G2	SW (mm)
W45 HRK 04 HB	R 1/4" K	G 1/4" -19	14
W45 HRK 04 HB 06	R 1/4" K	G 3/8" -19	19
W45 HRK 06 HB 04	R 3/8" K	G 1/4" -19	19
W45 HRK 06 HB	R 3/8" K	G 3/8" -19	19
W45 HRK 06 HB 08	R 3/8" K	G 1/2" -14	22
W45 HRK 08 HB 06	R 1/2" K	G 3/8" -19	22
W45 HRK 08 HB	R 1/2" K	G 1/2" -14	22
W45 HRK 08 HB 12	R 1/2" K	G 3/4" -14	27
W45 HRK 12 HB 08	R 3/4" K	G 1/2" -14	27
W45 HRK 12 HB	R 3/4" K	G 3/4" -14	27
W45 HRK 12 HB 16	R 3/4" K	G 1" -11	33
W45 HRK 16 HB 12	R 1" K	G 3/4" -14	33
W45 HRK 16 HB	R 1" K	G 1" -11	33
W45 HRK 16 HB 20	R 1" K	G 1.1/4" -11	41
W45 HRK 20 HB 16	R 1.1/4" K	G 1" -11	41
W45 HRK 20 HB	R 1.1/4" K	G 1.1/4" -11	41
W45 HRK 20 HB 24	R 1.1/4" K	G 1.1/2" -11	48
W45 HRK 24 HB 20	R 1.1/2" K	G 1.1/4" -11	48
W45 HRK 24 HB	R 1.1/2" K	G 1.1/2" -11	48
W45 HRK 32 HB 24	R 2" K	G 1.1/2" -11	64
W45 HRK 32 HB	R 2" K	G 2" -11	64

SW = rakto dydis