

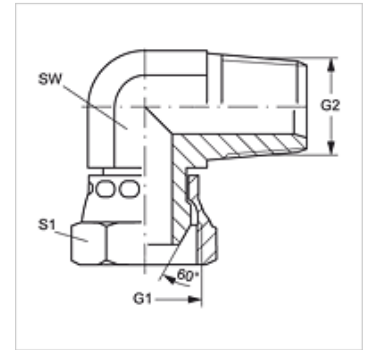
W90 AN HN

Įsukamas antgalis, 90° kampas

HANSA FLEX

Savybės

1 jungtis	NPT veržlės sriegis (NPSM)
1 sandarinimo forma	60° išorinis kūgis
2 jungtis	NPT išorinis sriegis
2 sandarinimo forma	sandarinamasis sriegis
Konstrukcija	Įsukamas antgalis
Gaminio forma	90° kampas
Medžiaga	Plienas
Paviršiaus apsauga	padengtas galvaniniu būdu



Prekė

Pavadinimas	G1	G2	SW (mm)	S1
W90 AN 02 HN	1/8" -27 NPT	1/8" -27 NPT	11	14
W90 AN 04 HN 02	1/4" -18 NPT	1/8" -27 NPT	14	18
W90 AN 04 HN	1/4" -18 NPT	1/4" -18 NPT	14	18
W90 AN 04 HN 06	1/4" -18 NPT	3/8" -18 NPT	19	18
W90 AN 04 HN 08	1/4" -18 NPT	1/2" -14 NPT	19	18
W90 AN 06 HN 04	3/8" -18 NPT	1/4" -18 NPT	19	22
W90 AN 06 HN	3/8" -18 NPT	3/8" -18 NPT	19	22
W90 AN 06 HN 08	3/8" -18 NPT	1/2" -14 NPT	22	22
W90 AN 06 HN 12	3/8" -18 NPT	3/4" -14 NPT	25	22
W90 AN 08 HN 06	1/2" -14 NPT	3/8" -18 NPT	22	25
W90 AN 08 HN	1/2" -14 NPT	1/2" -14 NPT	22	25
W90 AN 08 HN 12	1/2" -14 NPT	3/4" -14 NPT	27	25
W90 AN 12 HN 08	3/4" -14 NPT	1/2" -14 NPT	27	32
W90 AN 12 HN	3/4" -14 NPT	3/4" -14 NPT	27	32
W90 AN 12 HN 16	3/4" -14 NPT	1" -11,5 NPT	33	32
W90 AN 16 HN 12	1" -11,5 NPT	3/4" -14 NPT	33	38
W90 AN 16 HN	1" -11,5 NPT	1" -11,5 NPT	33	38
W90 AN 20 HN	1.1/4" -11,5 NPT	1.1/4" -11,5 NPT	41	48
W90 AN 20 HN 24	1.1/4" -11,5 NPT	1.1/2" -11,5 NPT	48	48
W90 AN 24 HN	1.1/2" -11,5 NPT	1.1/2" -11,5 NPT	48	54
W90 AN 32 HN	2" -11,5 NPT	2" -11,5 NPT	64	67

SW, S1, S2 = rakto dydis