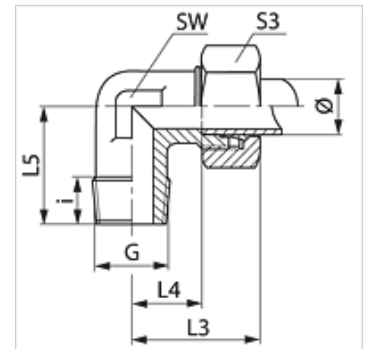


Savybės

| | |
|----------------------------|--|
| 1 jungtis | kūginis BSPT išorinis sriegis |
| 1 sandarinimo forma | sandarinamasis sriegis |
| 2 jungtis | metrinis cilindrinis išorinis sriegis |
| 2 sandarinimo forma | 24° vidinis kūgis |
| Konstrukcija | Įsukama srieginė jungtis |
| Gaminio forma | 90° kampas |
| Norma | DIN 2353 ISO 8434-1 |
| Tiekimo apimtis | Antgalis su užmetama veržle ir pjovimo žiedu |
| Medžiaga | nerūdijantysis plienas |



Nuoroda

Nuorodų dėl montavimo, įstatymo, slėginės apkrovos ir leidžiamų darbinų temperatūrų žr. srieginių vamzdžių jungčių techninės informacijos dokumentacijoje.

Prekė

| Pavadinimas | Serija | Darbinis slėgis bar | Vamzdžio išorinis Ø (mm) | G | i (mm) | L3 (mm) | L4 (mm) | L5 (mm) | SW (mm) | S3 |
|--------------------|--------|---------------------|--------------------------|----------|--------|---------|---------|---------|---------|----|
| WR 04 LL VA | LL | PN 100 | 4 | R 1/8" K | 8 | 21,0 | 11,0 | 18 | 11 | 10 |
| WR 06 LL VA | LL | PN 100 | 6 | R 1/8" K | 8 | 22,0 | 10,0 | 17 | 11 | 12 |
| WR 08 LL VA | LL | PN 100 | 8 | R 1/8" K | 8 | 23,0 | 11,5 | 20 | 12 | 14 |
| WR NW 04 HL VA | L | PN 315 | 6 | R 1/8" K | 8 | 27,0 | 12,0 | 20 | 12 | 14 |
| WR NW 04 HL 1/4 VA | L | PN 315 | 6 | R 1/4" K | 12 | 29,0 | 14,0 | 26 | 12 | 14 |
| WR NW 04 HL 3/8 VA | L | PN 315 | 6 | R 3/8" K | 12 | 29,0 | 14,0 | 26 | 12 | 14 |
| WR NW 04 HL 1/2 VA | L | PN 315 | 6 | R 1/2" K | 14 | 30,5 | 15,5 | 30 | 17 | 14 |
| WR NW 06 HL 1/8 VA | L | PN 315 | 8 | R 1/8" K | 8 | 29,0 | 14,0 | 26 | 12 | 17 |
| WR NW 06 HL VA | L | PN 315 | 8 | R 1/4" K | 12 | 29,0 | 14,0 | 26 | 12 | 17 |
| WR NW 06 HL 3/8 VA | L | PN 315 | 8 | R 3/8" K | 12 | 34,0 | 19,0 | 28 | 17 | 17 |
| WR NW 06 HL 1/2 VA | L | PN 315 | 8 | R 1/2" K | 13 | 34,0 | 19,0 | 30 | 17 | 17 |
| WR NW 08 HL 1/8 VA | L | PN 315 | 10 | R 1/8" K | 8 | 30,0 | 15,0 | 26 | 14 | 19 |
| WR NW 08 HL VA | L | PN 315 | 10 | R 1/4" K | 12 | 30,0 | 15,0 | 27 | 14 | 19 |
| WR NW 08 HL 3/8 VA | L | PN 315 | 10 | R 3/8" K | 12 | 32,0 | 17,0 | 28 | 17 | 19 |
| WR NW 08 HL 1/2 VA | L | PN 316 | 10 | R 1/2" K | 14 | 38,0 | 23,0 | 34 | 19 | 19 |
| WR NW 10 HL 1/8 VA | L | PN 315 | 12 | R 1/8" K | 8 | 32,0 | 17,5 | 27 | 17 | 22 |
| WR NW 10 HL 1/4 VA | L | PN 315 | 12 | R 1/4" K | 12 | 32,0 | 17,0 | 28 | 17 | 22 |
| WR NW 10 HL VA | L | PN 315 | 12 | R 3/8" K | 12 | 32,0 | 17,0 | 28 | 17 | 22 |
| WR NW 10 HL 1/2 VA | L | PN 315 | 12 | R 1/2" K | 14 | 38,0 | 23,0 | 34 | 19 | 22 |
| WR NW 13 HL 1/4 VA | L | PN 315 | 15 | R 1/4" K | 12 | 36,0 | 21,0 | 30 | 19 | 27 |
| WR NW 13 HL 3/8 VA | L | PN 315 | 15 | R 3/8" K | 12 | 36,0 | 21,0 | 34 | 19 | 27 |
| WR NW 13 HL VA | L | PN 315 | 15 | R 1/2" K | 14 | 36,0 | 21,0 | 34 | 19 | 27 |
| WR NW 13 HL 3/4 VA | L | PN 160 | 15 | R 3/4" K | 16 | 36,0 | 21,0 | 34 | 24 | 27 |
| WR NW 16 HL 3/8 VA | L | PN 315 | 18 | R 3/8" K | 12 | 40,0 | 23,5 | 34 | 24 | 32 |
| WR NW 16 HL VA | L | PN 315 | 18 | R 1/2" K | 14 | 40,0 | 23,5 | 36 | 24 | 32 |
| WR NW 16 HL 3/4 VA | L | PN 160 | 18 | R 3/4" K | 16 | 36,0 | 27,5 | 44 | 27 | 32 |
| WR NW 20 HL 1/2 VA | L | PN 160 | 22 | R 1/2" K | 14 | 44,0 | 27,5 | 41 | 27 | 36 |
| WRK NW 20 HL VA | L | PN 160 | 22 | R 3/4" K | 16 | 44,0 | 27,5 | 31 | 27 | 36 |
| WRK NW 25 HL VA | L | PN 160 | 28 | R 1" K | 20 | 51,5 | 30,5 | 47 | 36 | 41 |
| WR NW 03 HS 1/8 VA | S | PN 400 | 6 | R 1/8" K | 8 | 29,5 | 15,0 | 25 | 8 | 12 |
| WR NW 03 HS VA | S | PN 400 | 6 | R 1/4" K | 12 | 31,0 | 16,0 | 26 | 12 | 17 |
| WR NW 03 HS 3/8 VA | S | PN 400 | 6 | R 3/8" K | 12 | 32,0 | 17,5 | 27 | 14 | 17 |
| WR NW 03 HS 1/2 VA | S | PN 400 | 6 | R 1/2" K | 14 | 34,0 | 19,0 | 33 | 17 | 17 |
| WR NW 04 HS VA | S | PN 400 | 8 | R 1/4" K | 12 | 32,0 | 17,0 | 27 | 17 | 19 |
| WR NW 04 HS 3/8 VA | S | PN 400 | 8 | R 3/8" K | 12 | 33,0 | 18,0 | 28 | 14 | 19 |
| WR NW 04 HS 1/2 VA | S | PN 400 | 8 | R 1/2" K | 14 | 38,0 | 23,0 | 33 | 17 | 19 |
| WR NW 06 HS 1/4 VA | S | PN 400 | 10 | R 1/4" K | 12 | 34,0 | 17,5 | 28 | 17 | 22 |
| WR NW 06 HS VA | S | PN 400 | 10 | R 3/8" K | 12 | 34,0 | 17,5 | 28 | 17 | 22 |
| WR NW 06 HS 1/2 VA | S | PN 400 | 10 | R 1/2" K | 14 | 39,0 | 22,5 | 32 | 17 | 22 |
| WR NW 08 HS 1/4 VA | S | PN 400 | 12 | R 1/4" K | 12 | 38,0 | 21,5 | 27 | 17 | 24 |
| WR NW 08 HS VA | S | PN 400 | 12 | R 3/8" K | 12 | 38,0 | 21,5 | 28 | 17 | 24 |
| WR NW 08 HS 1/2 VA | S | PN 400 | 12 | R 1/2" K | 14 | 40,0 | 23,5 | 34 | 19 | 24 |



Prekė

| Pavadinimas | Serija | Darbinis slėgis bar | Vamzdžio išorinis Ø (mm) | G | i (mm) | L3 (mm) | L4 (mm) | L5 (mm) | SW (mm) | S3 |
|--------------------|--------|---------------------|--------------------------|----------|--------|---------|---------|---------|---------|----|
| WR NW 10 HS 3/8 VA | S | PN 400 | 14 | R 3/8" K | 12 | 40,0 | 22,0 | 30 | 19 | 27 |
| WR NW 10 HS VA | S | PN 400 | 14 | R 1/2" K | 14 | 40,0 | 22,0 | 32 | 19 | 27 |
| WR NW 13 HS 3/8 VA | S | PN 400 | 16 | R 3/8" K | 12 | 43,0 | 24,5 | 32 | 24 | 30 |
| WR NW 13 HS VA | S | PN 400 | 16 | R 1/2" K | 14 | 43,0 | 24,5 | 32 | 24 | 30 |
| WR NW 13 HS 3/4 VA | S | PN 160 | 16 | R 3/4" K | 16 | 43,0 | 24,5 | 41 | 24 | 30 |
| WR NW 16 HS 1/2 VA | S | PN 400 | 20 | R 1/2" K | 14 | 48,0 | 26,5 | 42 | 27 | 36 |
| WRK NW 16 HS VA | S | PN 160 | 20 | R 3/4" K | 16 | 48,0 | 26,5 | 42 | 27 | 36 |

Serija: LL = labai lengvas L = lengvas S = sunkus – PN = nominalusis slėgis PB = maks. darbinis slėgis – Ø = išorinis vamzdžio skersmuo

Gaminių variantai

| | |
|----------------|--|
| WRK | Įsukama srieginė jungtis, 90° kampas, Plienas |
| WRK MG | Įsukama srieginė jungtis, 90° kampas, žalvaris |
| XWRK VA | Įsukama srieginė jungtis, 90° kampas, nerūdijantysis plienas |