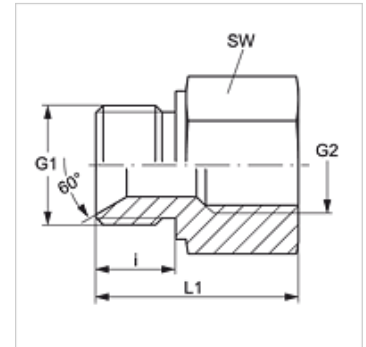


G HB IR

Užsukamas antgalis

Savybės

| | |
|---------------------|----------------------------------|
| 1 jungtis | cilindrinis BSP išorinis sriegis |
| 1 sandarinimo forma | 60° vidinis kūgis |
| 2 jungtis | cilindrinis BSP vidinis sriegis |
| 2 sandarinimo forma | plokščiai sandarinantis |
| Konstrukcija | Užsukamas antgalis |
| Gaminio forma | tiesus |
| Medžiaga | Plienas |
| Paviršiaus apsauga | padengtas galvaniniu būdu |



Prekė

| Pavadinimas | G1 | G2 | SW (mm) |
|---------------|--------------|--------------|------------|
| G HB 02 IR | G 1/8" -28 | G 1/8" -28 | 17 |
| G HB 02 IR 04 | G 1/8" -28 | G 1/4" -19 | 19 |
| G HB 04 IR 02 | G 1/4" -19 | G 1/8" -28 | 19 |
| G HB 04 IR | G 1/4" -19 | G 1/4" -19 | 19 |
| G HB 04 IR 06 | G 1/4" -19 | G 3/8" -19 | 24 |
| G HB 04 IR 08 | G 1/4" -19 | G 1/2" -14 | 27 |
| G HB 06 IR 02 | G 3/8" -19 | G 1/8" -28 | 24 |
| G HB 06 IR 04 | G 3/8" -19 | G 1/4" -19 | 22 |
| G HB 06 IR | G 3/8" -19 | G 3/8" -19 | 24 |
| G HB 06 IR 08 | G 3/8" -19 | G 1/2" -14 | 27 |
| G HB 08 IR 02 | G 1/2" -14 | G 1/8" -28 | 27 |
| G HB 08 IR 04 | G 1/2" -14 | G 1/4" -19 | 27 |
| G HB 08 IR 06 | G 1/2" -14 | G 3/8" -19 | 27 |
| G HB 08 IR | G 1/2" -14 | G 1/2" -14 | 27 |
| G HB 08 IR 12 | G 1/2" -14 | G 3/4" -14 | 36 |
| G HB 12 IR 04 | G 3/4" -14 | G 1/4" -19 | 32 |
| G HB 12 IR 06 | G 3/4" -14 | G 3/8" -19 | 32 |
| G HB 12 IR 08 | G 3/4" -14 | G 1/2" -14 | 32 |
| G HB 12 IR | G 3/4" -14 | G 3/4" -14 | 36 |
| G HB 12 IR 16 | G 3/4" -14 | G 1" -11 | 41 |
| G HB 16 IR 06 | G 1" -11 | G 3/8" -19 | 41 |
| G HB 16 IR 08 | G 1" -11 | G 1/2" -14 | 41 |
| G HB 16 IR 12 | G 1" -11 | G 3/4" -14 | 41 |
| G HB 16 IR | G 1" -11 | G 1" -11 | 41 |
| G HB 16 IR 20 | G 1" -11 | G 1.1/4" -11 | 50 |
| G HB 20 IR 04 | G 1.1/4" -11 | G 1/4" -19 | 50 |
| G HB 20 IR 08 | G 1.1/4" -11 | G 1/2" -14 | 50 |
| G HB 20 IR 12 | G 1.1/4" -11 | G 3/4" -14 | 50 |
| G HB 20 IR 16 | G 1.1/4" -11 | G 1" -11 | 41 |
| G HB 20 IR | G 1.1/4" -11 | G 1.1/4" -11 | 50 |
| G HB 20 IR 24 | G 1.1/4" -11 | G 1.1/2" -11 | 55 |
| G HB 24 IR 12 | G 1.1/2" -11 | G 3/4" -14 | 55 |
| G HB 24 IR 20 | G 1.1/2" -11 | G 1.1/4" -11 | 55 |
| G HB 24 IR | G 1.1/2" -11 | G 1.1/2" -11 | 55 |
| G HB 24 IR 16 | G 1.1/2" -11 | G 1" -11 | 55 |
| G HB 24 IR 32 | G 1.1/2" -11 | G 2" -11 | 70 |
| G HB 32 IR 16 | G 2" -11 | G 1" -11 | 70 |
| G HB 32 IR 20 | G 2" -11 | G 1.1/4" -11 | 70 |
| G HB 32 IR 24 | G 2" -11 | G 1.1/2" -11 | 70 |
| G HB 32 IR | G 2" -11 | G 2" -11 | 70 |

SW = rakto dydis

Gminių variantai

G HB IR VA Užsukamas antgalis, nerūdijantysis plienas