

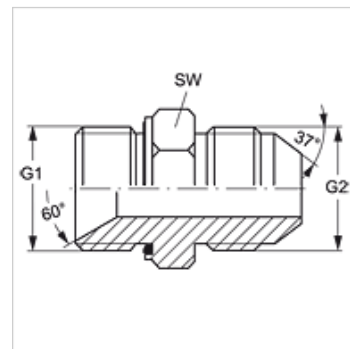
# G HBED HJ VA

Jungiamasis antgalis

**HANSA FLEX**

## Savybės

1 sandarinimo forma	60° vidinis kūgis + E forma
1 jungtis	cilindrinis BSP išorinis sriegis
2 jungtis	UN/UNF išorinis sriegis
2 sandarinimo forma	74° išorinis kūgis
Konstrukcija	Jungiamasis antgalis
Gaminio forma	tiesus
Medžiaga	nerūdijantis plienas



## užsakymo nuorodos

NBR plombos  
FPM (Viton) paprašius

## Prekė

Pavadinimas	G1	G2	SW (mm)
G HBED 02 HJ 04 VA	G 1/8" -28	7/16" -20 UNF	14
G HBED 02 HJ 05 VA	G 1/8" -28	1/2" -20 UNF	14
G HBED 02 HJ 06 VA	G 1/8" -28	9/16" -18 UNF	16
G HBED 04 HJ VA	G 1/4" -19	7/16" -20 UNF	19
G HBED 04 HJ 05 VA	G 1/4" -19	1/2" -20 UNF	19
G HBED 04 HJ 06 VA	G 1/4" -19	9/16" -18 UNF	19
G HBED 04 HJ 08 VA	G 1/4" -19	3/4" -16 UNF	19
G HBED 06 HJ 04 VA	G 3/8" -19	7/16" -20 UNF	22
G HBED 06 HJ 05 VA	G 3/8" -19	1/2" -20 UNF	22
G HBED 06 HJ VA	G 3/8" -19	9/16" -18 UNF	22
G HBED 06 HJ 08 VA	G 3/8" -19	3/4" -16 UNF	22
G HBED 06 HJ 10 VA	G 3/8" -19	7/8" -14 UNF	24
G HBED 08 HJ 04 VA	G 1/2" -14	7/16" -20 UNF	27
G HBED 08 HJ 06 VA	G 1/2" -14	9/16" -18 UNF	30
G HBED 08 HJ VA	G 1/2" -14	3/4" -16 UNF	30
G HBED 08 HJ 10 VA	G 1/2" -14	7/8" -14 UNF	30
G HBED 08 HJ 12 VA	G 1/2" -14	1.1/16" -12 UN	30
G HBED 12 HJ 08 VA	G 3/4" -14	3/4" -16 UNF	36
G HBED 12 HJ 10 VA	G 3/4" -14	7/8" -14 UNF	36
G HBED 12 HJ VA	G 3/4" -14	1.1/16" -12 UN	36
G HBED 12 HJ 16 VA	G 3/4" -14	1.5/16" -12 UN	36
G HBED 16 HJ 10 VA	G 1" -11	7/8" -14 UNF	41
G HBED 16 HJ 12 VA	G 1" -11	1.1/16" -12 UN	41
G HBED 16 HJ VA	G 1" -11	1.5/16" -12 UN	41
G HBED 16 HJ 20 VA	G 1" -11	1.5/8" -12 UN	46
G HBED 20 HJ 16 VA	G 1.1/4" -11	1.5/16" -12 UN	50
G HBED 20 HJ VA	G 1.1/4" -11	1.5/8" -12 UN	50
G HBED 20 HJ 24 VA	G 1.1/4" -11	1.7/8" -12 UN	50
G HBED 24 HJ 20 VA	G 1.1/2" -11	1.5/8" -12 UN	55
G HBED 24 HJ VA	G 1.1/2" -11	1.7/8" -12 UN	55

SW = rakto dydis

## Gaminių variantai

G HBED HJ Jungiamasis antgalis, Plienas

## Atsarginės dalys

WD V Minkštasis tarpiklis JIC