

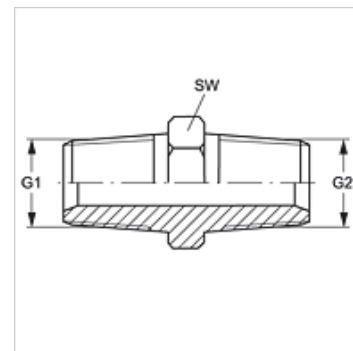
G HRK

Įsukamas antgalis

HANSA FLEX

Savybės

| | |
|----------------------------|-------------------------------|
| 1 jungtis | kūginis BSPT išorinis sriegis |
| 1 sandarinimo forma | sandarinamasis sriegis |
| 2 jungtis | kūginis BSPT išorinis sriegis |
| 2 sandarinimo forma | sandarinamasis sriegis |
| Konstrukcija | Įsukamas antgalis |
| Gaminio forma | tiesus |
| Medžiaga | Plienas |
| Paviršiaus apsauga | padengtas galvaniniu būdu |



Prekė

| Pavadinimas | G1 | G2 | SW (mm) |
|--------------------|------------|------------|------------|
| G HRK 02 | R 1/8" K | R 1/8" K | 12 |
| G 02 HRK 04 | R 1/8" K | R 1/4" K | 14 |
| G 02 HRK 06 | R 1/8" K | R 3/8" K | 17 |
| G HRK 04 | R 1/4" K | R 1/4" K | 14 |
| G 04 HRK 06 | R 1/4" K | R 3/8" K | 17 |
| G 04 HRK 08 | R 1/4" K | R 1/2" K | 22 |
| G HRK 06 | R 3/8" K | R 3/8" K | 17 |
| G 06 HRK 08 | R 3/8" K | R 1/2" K | 22 |
| G 06 HRK 12 | R 3/8" K | R 3/4" K | 27 |
| G 06 HRK 16 | R 3/8" K | R 1" K | 36 |
| G HRK 08 | R 1/2" K | R 1/2" K | 22 |
| G 08 HRK 10 | R 1/2" K | R 5/8" K | 24 |
| G 08 HRK 12 | R 1/2" K | R 3/4" K | 27 |
| G 08 HRK 16 | R 1/2" K | R 1" K | 36 |
| G HRK 10 | R 5/8" K | R 5/8" K | 24 |
| G HRK 12 | R 3/4" K | R 3/4" K | 27 |
| G 12 HRK 16 | R 3/4" K | R 1" K | 36 |
| G HRK 16 | R 1" K | R 1" K | 36 |
| G 16 HRK 20 | R 1" K | R 1.1/4" K | 46 |
| G HRK 20 | R 1.1/4" K | R 1.1/4" K | 46 |
| G 20 HRK 24 | R 1.1/4" K | R 1.1/2" K | 50 |
| G HRK 24 | R 1.1/2" K | R 1.1/2" K | 50 |
| G 24 HRK 32 | R 1.1/2" K | R 2" K | 65 |
| G HRK 32 | R 2" K | R 2" K | 65 |

SW = rakto dydis

Gaminių variantai

G HRK VA Įsukamas antgalis, nerūdijantysis plienas