

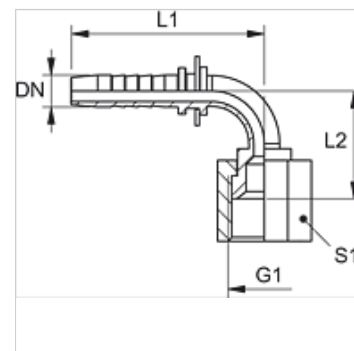
PN AJ 90

Presuojamas nipelis, DKJ, 90° kampas

HANSA FLEX

Savybės

Taikymo sritis	presuojamas nipelis HD 100 iki HD 400, KP, TE žarnoms
1 jungtis	UN/UNF veržlės sriegis
1 sandarinimo forma	74° vidinis kūgis
Trumpinys	DKJ
Norma	ISO 8434-2
Medžiaga	Plienas
Paviršiaus apsauga	padengtas galvaniniu būdu



Nuoroda

Tinkamą aptaisą prašome pasirinkti pagal žarnos tipą.

Prekė

Pavadinimas	DN	Dydis	Colis	Darbinis slėgis (bar)	G1	L1 (mm)	L2 (mm)	S1
PN 04 AJ 06 90	5	3	3/16"	410,0	7/16" -20 UNF	47,5	26,0	14
PN 06 AJ 90	6	4	1/4"	410,0	7/16" -20 UNF	57,0	26,0	14
PN 06 AJ 08 90	6	4	1/4"	410,0	1/2" -20 UNF	57,0	27,0	17
PN 06 AJ 10 90	6	4	1/4"	350,0	9/16" -18 UNF	57,0	28,0	19
PN 08 AJ 90	8	5	5/16"	410,0	1/2" -20 UNF	56,5	33,0	17
PN 08 AJ 10 90	8	5	5/16"	350,0	9/16" -18 UNF	57,5	30,5	19
PN 10 AJ 08 90	10	6	3/8"	350,0	1/2" -20 UNF	66,5	37,5	17
PN 10 AJ 90	10	6	3/8"	350,0	9/16" -18 UNF	63,0	35,0	19
PN 10 AJ 13 90	10	6	3/8"	345,0	3/4" -16 UNF	63,0	37,0	24
PN 10 AJ 16 90	10	6	3/8"	345,0	7/8" -14 UNF	63,0	38,0	27
PN 13 AJ 90	12	8	1/2"	345,0	3/4" -16 UNF	71,5	42,5	24
PN 13 AJ 16 90	12	8	1/2"	345,0	7/8" -14 UNF	71,5	43,5	27
PN 13 AJ 20 90	12	8	1/2"	345,0	1.1/16" -12 UN	71,5	45,0	32
PN 16 AJ 90	16	10	5/8"	345,0	7/8" -14 UNF	87,0	54,0	27
PN 16 AJ 20 90	16	10	5/8"	345,0	1.1/16" -12 UN	87,0	54,5	32
PN 16 AJ 20 90 L 105	16	10	5/8"	345,0	1.1/16" -12 UN	87,0	105,0	32
PN 20 AJ 90	19	12	3/4"	345,0	1.1/16" -12 UN	99,0	57,5	32
PN 20 AJ 90 L 100	19	12	3/4"	345,0	1.1/16" -12 UN	99,0	100,0	32
PN 20 AJ 14 90	19	12	3/4"	345,0	1.3/16" -12 UN	108,5	69,5	36
PN 20 AJ 25 90	19	12	3/4"	275,0	1.5/16" -12 UN	99,0	58,5	41
PN 25 AJ 14 90	25	16	1"	275,0	1.3/16" -12 UN	108,5	69,5	36
PN 25 AJ 90	25	16	1"	275,0	1.5/16" -12 UN	126,0	70,5	41
PN 25 AJ 32 90	25	16	1"	200,0	1.5/8" -12 UN	126,0	72,5	50
PN 32 AJ 90	31	16	1,1/4"	200,0	1.5/8" -12 UN	150,5	86,0	50
PN 32 AJ 40 90	31	20	1,1/4"	170,0	1.7/8" -12 UN	150,5	87,0	60
PN 40 AJ 90	38	24	1,1/2"	170,0	1.7/8" -12 UN	175,5	100,5	60
PN 50 AJ 90	51	32	2"	170,0	2.1/2" -12 UN	216,5	135,0	75

Gaminių variantai

PN AJ 90 VA Presuojamas nipelis, DKJ, 90° kampas, nerūdijantis plienas