

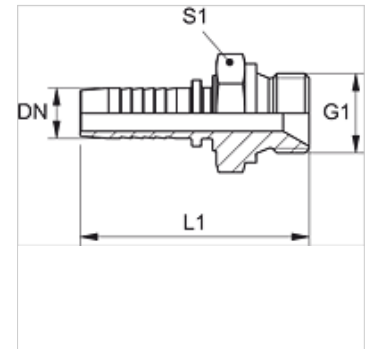
PN HB

Presuojamas nipelis, AGR

HANSA FLEX

Savybės

Taikymo sritis	presuojamas nipelis HD 100 iki HD 400, KP, TE žarnoms
1 jungtis	cilindrinis BSP išorinis sriegis
1 sandarinimo forma	60° vidinis kūgis
Trumpinys	AGR
Norma	ISO 8434-6 BS 5200
Medžiaga	Plienas
Paviršiaus apsauga	padengtas galvaniniu būdu



Nuoroda

Tinkamą aptaisą prašome pasirinkti pagal žarnos tipą.

Prekė

Pavadinimas	DN	Dydis	Colis	Darbinis slėgis (bar)	G1	L1 (mm)	S1
PN 04 HB	5	3	3/16"	350,0	G 1/8" -28	42,5	14
PN 04 HB 06	5	3	3/16"	350,0	G 1/4" -19	46,0	19
PN 06 HB 02	6	4	1/4"	350,0	G 1/8" -28	48,5	14
PN 06 HB	6	4	1/4"	400,0	G 1/4" -19	52,0	19
PN 06 HB 10	6	4	1/4"	400,0	G 3/8" -19	54,0	22
PN 06 HB 13	6	4	1/4"	350,0	G 1/2" -14	57,5	27
PN 08 HB 06	8	5	5/16"	400,0	G 1/4" -19	52,0	19
PN 08 HB 10	8	5	5/16"	400,0	G 3/8" -19	54,0	22
PN 08 HB 13	8	5	5/16"	350,0	G 1/2" -14	57,5	27
PN 10 HB 02	10	6	3/8"	350,0	G 1/8" -28	50,0	17
PN 10 HB 06	10	6	3/8"	400,0	G 1/4" -19	53,5	19
PN 10 HB	10	6	3/8"	400,0	G 3/8" -19	55,5	22
PN 10 HB 13	10	6	3/8"	350,0	G 1/2" -14	59,5	27
PN 13 HB 10	12	8	1/2"	350,0	G 3/8" -19	56,5	22
PN 13 HB	12	8	1/2"	350,0	G 1/2" -14	60,5	27
PN 13 HB 16	12	8	1/2"	350,0	G 5/8" -14	62,5	30
PN 13 HB 20	12	8	1/2"	250,0	G 3/4" -14	62,5	32
PN 16 HB 13	16	10	5/8"	350,0	G 1/2" -14	65,0	27
PN 16 HB	16	10	5/8"	35,0	G 5/8" -14	67,0	30
PN 16 HB 20	16	10	5/8"	315,0	G 3/4" -14	67,0	32
PN 20 HB	19	12	3/4"	315,0	G 3/4" -14	73,5	32
PN 20 HB 25	19	12	3/4"	250,0	G 1" -11	78,5	41
PN 25 HB	25	16	1"	250,0	G 1" -11	86,5	41
PN 25 HB 32	25	16	1"	250,0	G 1.1/4" -11	87,5	50
PN 32 HB	31	20	1,1/4"	250,0	G 1.1/4" -11	97,0	50
PN 32 HB 40	31	20	1,1/4"	210,0	G 1.1/2" -11	100,0	55
PN 40 HB 32	38	24	1,1/2"	210,0	G 1.1/4" -11	100,5	50
PN 40 HB	38	24	1,1/2"	210,0	G 1.1/2" -11	103,5	55
PN 40 HB 50	38	24	1,1/2"	210,0	G 2" -11	109,0	70
PN 50 HB	51	32	2"	210,0	G 2" -11	124,5	70

Gaminių variantai

PN HB VA Presuojamas nipelis, AGR, nerūdijantis plienas