

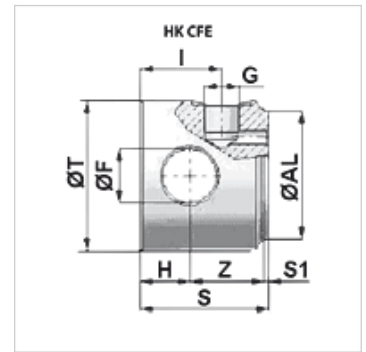
HK CFE

Cilindro dugnas su alyvos įleidimo anga

HANSA FLEX

Savybės

Medžiaga Plienas S355J0 (Fe510C)



Prekė

| Pavadinimas | Ø AL (mm) | Ø F (mm) | Ø T (mm) | G | H (mm) | I (mm) | S (mm) | S1 (mm) | Z (mm) | Svoris (kg) |
|------------------|--------------|-------------|-------------|--------|-----------|-----------|-----------|------------|-----------|----------------|
| HK CFE 040 050 4 | 40 | 16,20 | 50 | G 1/4" | 15 | 30,0 | 50 | 2 | 33 | 0,60 |
| HK CFE 050 060 6 | 50 | 20,25 | 60 | G 3/8" | 20 | 38,0 | 60 | 2 | 38 | 1,10 |
| HK CFE 060 070 6 | 60 | 25,25 | 70 | G 3/8" | 23 | 38,0 | 60 | 2 | 35 | 1,40 |
| HK CFE 070 080 6 | 70 | 25,25 | 80 | G 3/8" | 23 | 38,0 | 60 | 2 | 35 | 1,95 |
| HK CFE 080 095 8 | 80 | 30,25 | 95 | G 1/2" | 25 | 47,0 | 75 | 2 | 48 | 2,50 |
| HK CFE 100 115 8 | 100 | 35,25 | 115 | G 1/2" | 30 | 47,0 | 75 | 2 | 43 | 4,50 |