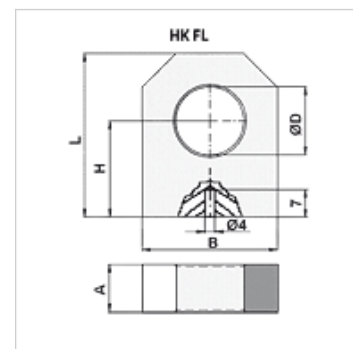


Savybės

Medžiaga Plienas S355J0 (Fe510C)



Prekė

Pavadinimas	A (mm)	B (mm)	H (mm)	L (mm)	Ø D (mm)	Svoris (kg)
HK FL 16	15,0	35,0	34,0	50,0	16,20	0,19
HK FL 20	20,0	40,0	40,0	60,0	20,25	0,38
HK FL 25	25,0	50,0	45,0	65,0	25,25	0,58
HK FL 30	30,0	60,0	50,0	75,0	30,25	0,79
HK FL 35	35,0	70,0	55,0	85,0	35,25	0,98
HK FL 40	40,0	80,0	60,0	100,0	40,25	1,22