

HK CSTS N

Šarnyrinė galvutė su papildomai sutepamu guoliu

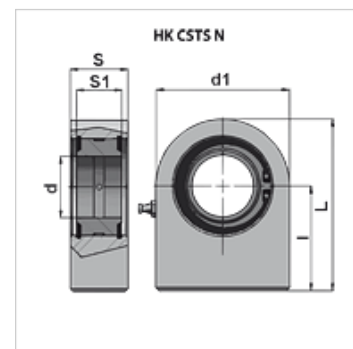
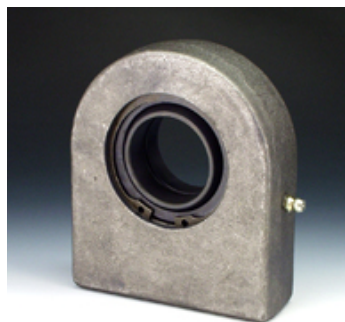
HANSA FLEX

Savybės

Norma DIN 648, E SERIJA, N TIPAS

Taikymo sritis pramonė

Medžiaga Plienas ST 52.3



Nuoroda

HKCSTS09N00 papildomai sutepti nereikia

Prekė

| Pavadinimas | d (mm) | d1 (mm) | l (mm) | L (mm) | S1 (mm) | S (mm) | leistina din. apkrova (kN) | Svoris (kg) |
|------------------|-----------|------------|-----------|-----------|------------|-----------|-------------------------------|----------------|
| HK CSTS 016 N 00 | 16 | 48 | 35 | 59,0 | 14 | 18 | 21 | 0,29 |
| HK CSTS 020 N 00 | 20 | 50 | 38 | 63,0 | 16 | 19 | 30 | 0,35 |
| HK CSTS 025 N 00 | 25 | 55 | 45 | 72,5 | 20 | 23 | 48 | 0,53 |
| HK CSTS 030 N 00 | 30 | 65 | 51 | 83,5 | 22 | 28 | 62 | 0,85 |
| HK CSTS 035 N 00 | 35 | 83 | 61 | 102,5 | 25 | 30 | 80 | 1,50 |
| HK CSTS 040 N 00 | 40 | 100 | 69 | 119,0 | 28 | 35 | 100 | 2,48 |
| HK CSTS 045 N 00 | 45 | 110 | 77 | 132,0 | 32 | 40 | 127 | 3,45 |
| HK CSTS 050 N 00 | 50 | 123 | 88 | 149,5 | 35 | 40 | 156 | 4,45 |
| HK CSTS 060 N 00 | 60 | 140 | 100 | 170,0 | 44 | 50 | 245 | 7,10 |
| HK CSTS 070 N 00 | 70 | 164 | 115 | 197,0 | 49 | 55 | 315 | 10,70 |
| HK CSTS 080 N 00 | 80 | 180 | 141 | 231,0 | 55 | 60 | 400 | 15,10 |
| HK CSTS 090 N 00 | 90 | 226 | 150 | 263,0 | 60 | 65 | 490 | 15,10 |