

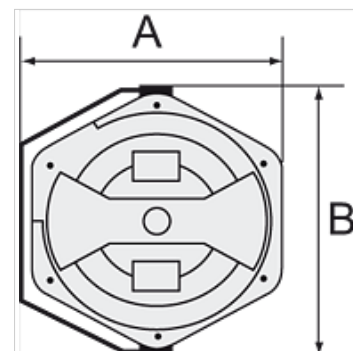
K-SCHL-AUFROLLER LUFT

Hose reels for compressed air

HANSA FLEX

Savybės

| | |
|----------------------------|--|
| Žarnos medžiaga | Braided polyurethane |
| Darbinis slėgis | Max. 16 bar; 13.5 x 9.5 mm hose: max. 12 bar |
| Darbinė temperatūra | -20 °C to +60 °C |
| Pasukimo kampas | 300° |



Nuoroda

Daugiau duomenų pagal užklausimą.

Aprašas

For easy mounting on the wall or ceiling. Closed, rugged, impact-resistant housing made of POM, supply/outlet R 1/4 male thread and lightweight, hard-wearing, oil-resistant polyurethane hose. Incl. 2 m feeder hose (not Art. K-07100618).

Papildoma informacija

Housing of K-07100621, K-07100620 and K-07100618 identical to K-07100614

Prekė

| Pavadinimas | Žarnos matmuo | A (mm) | B (mm) | Žarnos ilgis (m) |
|----------------|------------------|-----------|-----------|---------------------|
| K- 07 10 06 18 | 12 mm x 8 mm | 394,5 | 436,0 | 7 |
| K- 07 10 06 19 | 12 mm x 8 mm | 361,0 | 390,0 | 10 |
| K- 07 10 06 20 | 12 mm x 8 mm | 394,5 | 436,0 | 16 |
| K- 07 10 06 21 | 13,5 mm x 9,5 mm | 394,5 | 436,0 | 14 |