

# K-HAND-SCHIEBEVENTIL

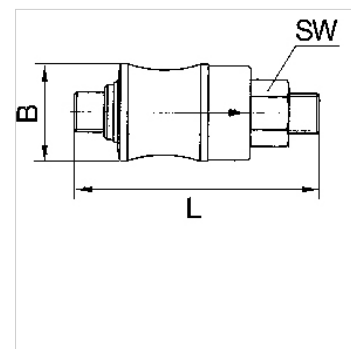
Manual slide valves

**HANSA FLEX**

## Savybės

Darbinis slėgis maks. 10 bar

Darbinė temperatūra max. +70 °C



## Nuoroda

Daugiau duomenų pagal užklausimą.

## Aprašas

For use on devices that have to be vented whenever they are turned off, either because of safety regulations or for technical reasons. The pneumatic devices are disconnected from the system and simultaneously vented each time they are shut off.

## Prekė

Pavadinimas	Sriegis	B (mm)	L (mm)	SW (mm)
K- 07 30 15 92	G 1/8	21,0	67,0	14
K- 07 30 15 93	G 1/4	24,0	77,0	17
K- 07 30 15 94	G 3/8	31,0	87,0	22
K- 07 30 15 95	G 1/2	35,0	104,0	26