

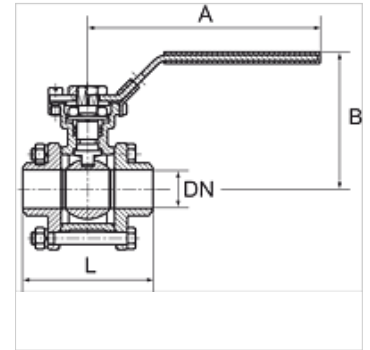
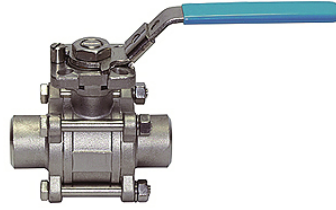
K-BKR ANSCHWEISS VA

Ball valves

HANSA FLEX

Savybės

Darbinis slėgis	max. 70 bar (depending on temperature and nominal size)
1.1/4" to 1.1/2"	20 °C: 70 bar, 60 °C: 55 bar, 100 °C: 35 bar, 150 °C: 6 bar, 180 °C: 4 bar, 200 °C: 0 bar
1/4" bis 1"	20 °C: 70 bar, 60 °C: 65 bar, 100 °C: 45 bar, 150 °C: 7 bar, 180 °C: 4 bar, 200 °C: 0 bar
2"	20 °C: 60 bar, 60 °C: 40 bar, 100 °C: 30 bar, 150 °C: 5 bar, 180 °C: 4 bar, 200 °C: 0 bar
Darbinė temperatūra	200 °C at 0 bar
Tarpiklis	15 % RPTFE (glass fibre reinforced PTFE)
Rankinė svirtis	Stainless steel 1.4301



Nuoroda

G thread acc. to DIN EN ISO 228-1, with ISO flange plate (acc. to ISO 5211)
Daugiau duomenų pagal užklausimą.

Papildoma informacija

With ISO flange plate (acc. to ISO 5211)

Prekė

Pavadinimas	DN	A (mm)	B (mm)	L (mm)	Medžiaga
K- 07 30 14 78	12	123,0	74,0	70,0	Stainless steel 1.4401/1.4408
K- 07 30 14 79	13	123,0	74,0	70,0	Stainless steel 1.4401/1.4408
K- 07 30 14 80	15	123,0	74,0	75,0	Stainless steel 1.4401/1.4408
K- 07 30 14 81	20	123,0	78,0	90,0	Stainless steel 1.4401/1.4408
K- 07 30 14 82	25	152,0	90,0	100,0	Stainless steel 1.4401/1.4408
K- 07 30 14 83	32	152,0	94,0	110,0	Stainless steel 1.4401/1.4408
K- 07 30 14 84	40	182,0	110,0	125,0	Stainless steel 1.4401/1.4408
K- 07 30 14 85	50	182,0	118,0	150,0	Stainless steel 1.4401/1.4408