

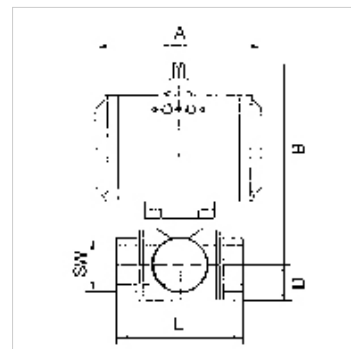
# K-BKR STAN DOP VA

Stainless steel ball valves, double-acting actuator

**HANSA FLEX**

## Savybės

|                                    |  |
|------------------------------------|--|
| <b>Konstrukcija</b>                | Pneumatic actuators, in double- or single acting version, with integrated end-position feedback                                |
| <b>Darbinis slėgis</b>             | max. 63 bar (depending on temperature and nominal size)  |
| <b>Darbinė temperatūra</b>         | -20 °C to +70 °C   |
| <b>Sukimo kampas</b>               | 90 °   |
| <b>Standartizuotos sąsajos</b>     | Interface actuator / valve: four or eight threaded holes in the drive housing according to EN ISO 5211, Interface actuator / S |
| <b>Valdymo slėgis</b>              | 5.5 bar  |
| <b>Vožtuvo adapteris</b>           | Acc. to NAMUR  |
| <b>Pavara</b>                      | aluminium eloxed   |
| <b>Pavaros sandariklis</b>         | NBR  |
| <b>Rutulinis vožtuvas</b>          | Stainless steel 1.4401, with ISO-flange plate  |
| <b>Rutulinio vožtuvo tarpiklis</b> | PTFE   |



## Nuoroda

Daugiau duomenų pagal užklausimą.

## Aprašas

2-way cock, 3-piece, full bore

## Prekė

| Pavadinimas    | DN | Sriegis  | A<br>(mm) | B<br>(mm) | D<br>(mm) | L<br>(mm) | SW<br>(mm) |
|----------------|----|----------|-----------|-----------|-----------|-----------|------------|
| K- 07 30 02 42 | 15 | Rp 1/2   | 133,0     | 144,0     | 24,0      | 75,0      | 29         |
| K- 07 30 02 43 | 15 | Rp 1/2   | 116,0     | 135,0     | 24,0      | 75,0      | 29         |
| K- 07 30 02 44 | 20 | Rp 3/4   | 133,0     | 148,0     | 27,0      | 80,0      | 35         |
| K- 07 30 02 45 | 20 | Rp 3/4   | 116,0     | 139,0     | 27,0      | 80,0      | 35         |
| K- 07 30 02 46 | 25 | Rp 1     | 133,0     | 157,0     | 30,0      | 90,0      | 41         |
| K- 07 30 02 47 | 32 | Rp 1 1/4 | 137,0     | 176,0     | 37,0      | 110,0     | 50         |
| K- 07 30 02 48 | 40 | Rp 1 1/2 | 137,0     | 186,0     | 40,0      | 120,0     | 58         |
| K- 07 30 02 49 | 50 | Rp 2     | 161,0     | 207,0     | 50,0      | 140,0     | 74         |
| K- 07 30 02 50 | 65 | Rp 2 1/2 | 180,0     | 238,0     | 60,0      | 185,0     | 89         |
| K- 07 30 02 51 | 80 | Rp 3     | 209,0     | 257,0     | 82,0      | 205,0     | 104        |