

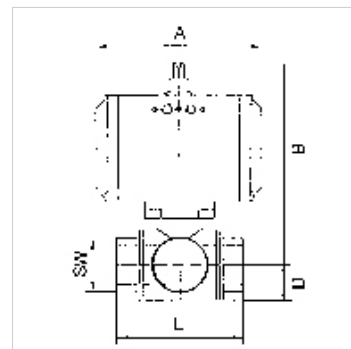
# K-BKR STAN EIN FED VA

Stainless steel ball valves, single-acting actuator - spring to close

**HANSA FLEX**

## Savybės

<b>Konstrukcija</b>	Pneumatic actuators, in double- or single acting version, with integrated end-position feedback
<b>Darbinis slėgis</b>	max. 63 bar (depending on temperature and nominal size)
<b>Darbinė temperatūra</b>	-20 °C to +70°C
<b>Sukimo kampas</b>	90 °
<b>Standartizuotos sąsajos</b>	Interface actuator / valve: four or eight threaded holes in the drive housing according to EN ISO 5211, Interface actuator / S
<b>Valdymo slėgis</b>	5.5 bar
<b>Vožtuvo adapteris</b>	Acc. to NAMUR
<b>Pavara</b>	aluminium eloxed
<b>Pavaros sandariklis</b>	NBR
<b>Rutulinis vožtuvas</b>	Stainless steel 1.4401, with ISO-flange plate
<b>Rutulinio vožtuvo tarpiklis</b>	PTFE



## Nuoroda

Daugiau duomenų pagal užklausimą.

## Aprašas

2-way cock, 3-piece, full bore

## Prekė

Pavadinimas	DN	Sriegis	A (mm)	B (mm)	D (mm)	L (mm)	SW (mm)
K- 07 30 02 59	15	Rp 1/2	133,0	144,0	24,0	75,0	29
K- 07 30 02 60	15	Rp 1/2	116,0	135,0	24,0	75,0	29
K- 07 30 02 61	20	Rp 3/4	133,0	148,0	27,0	80,0	35
K- 07 30 02 62	25	Rp 1	137,0	170,0	33,0	90,0	41
K- 07 30 02 63	32	Rp 1 1/4	161,0	188,0	37,0	110,0	50
K- 07 30 02 64	40	Rp 1 1/2	180,0	198,0	40,0	120,0	58
K- 07 30 02 65	50	Rp 2	209,0	224,0	50,0	140,0	74
K- 07 30 02 66	65	Rp 2 1/2	221,0	268,0	60,0	185,0	85
K- 07 30 02 67	80	Rp 3	221,0	280,0	67,0	205,0	100