

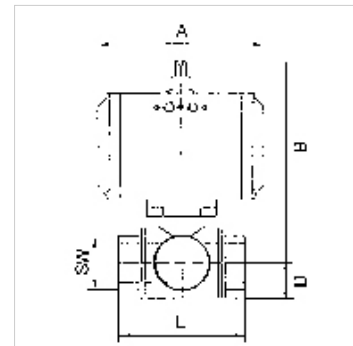
K-3 BKR T DOPPELWIRKEND T2

Stainless steel ball valves, 3-way, with double-acting actuator, T-bore, normal position

HANSA FLEX

Savybės

Konstrukcija	Pneumatic actuators, in double- or single acting version, with integrated end-position feedback
Kiurymė	„T“ formos
Darbinis slėgis	max. 63 bar (depending on temperature and nominal size)
Darbinė temperatūra	-20 °C to +70 °C
Sukimo kampas	90 °
Standartizuotos sąsajos	Interface actuator / valve: four or eight threaded holes in the drive housing according to EN ISO 5211, Interface actuator / S
Valdymo slėgis	5.5 bar
Vožtuvo adapteris	Acc. to NAMUR
Pavara	aluminium eloxed
Pavaros sandariklis	NBR
Rutulinis vožtuvas	Stainless steel 1.4401, with ISO-flange plate
Rutulinio vožtuvo tarpiklis	PTFE/FKM



Nuoroda

G thread acc. to DIN EN ISO 228-1, with ISO flange plate (acc. to ISO 5211)

Daugiau duomenų pagal užklausimą.

Aprašas

3-way cock, reduced bore

Papildoma informacija

Other T-positions on request

Prekė

Pavadinimas	DN	Sriegis	Padėtis	A (mm)	B (mm)	D (mm)	L (mm)	SW (mm)
K- 07 30 03 00	15	Rp 1/2	T 2	116,0	130,0	20,0	73,0	27
K- 07 30 03 02	20	Rp 3/4	T 2	116,0	136,0	23,0	80,0	32
K- 07 30 03 04	25	Rp 1	T 2	133,0	148,5	28,5	90,0	41
K- 07 30 03 06	32	Rp 1 1/4	T 2	133,0	153,5	36,5	90,0	50
K- 07 30 03 08	40	Rp 1 1/2	T 2	137,0	173,0	37,0	105,0	55
K- 07 30 03 10	50	Rp 2	T 2	161,0	196,5	47,5	115,0	71