

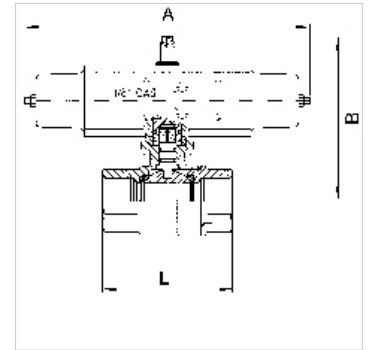
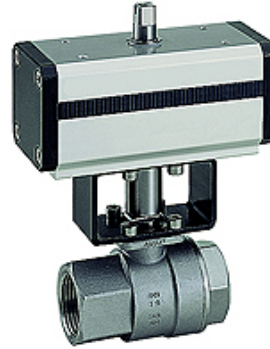
K-BKR DOP VA

Stainless steel ball valves, double-acting actuator

HANSA FLEX

Savybės

| | |
|------------------------------------|---|
| Konstrukcija | Pneumatic, double-piston, part-turn actuator, double-rocker principle |
| Darbinis slėgis | max. 160 bar (G 3/8, G 1/2); max. 100 bar (G 3/4, G 1); max. 60 bar (G 1 1/4, G 1 1/2); max. 40 bar (G 2) |
| Darbinė temperatūra | -20 °C to +150 °C |
| Sukimo kampas | 90 ° |
| Valdymo slėgis | 5.6 bar |
| Vožtuvo adapteris | Supplied as standard |
| Temperatūros diapazonas | -20 °C to +80 °C |
| Pavara | aluminium eloxed |
| Pavaros sandariklis | NBR |
| Rutulinis vožtuvas | Stainless steel 1.4401/1.4301/1.4310/1.4408, with ISO-flange plate |
| Rutulinio vožtuvo tarpiklis | PTFE/FKM |



Nuoroda

Daugiau duomenų pagal užklausimą.

Prekė

| Pavadinimas | DN | Sriegis | A (mm) | B (mm) | L (mm) |
|----------------|----|----------|-----------|-----------|-----------|
| K- 07 30 02 52 | 10 | Rp 3/8 | 114,0 | 134,0 | 51,0 |
| K- 07 30 02 53 | 15 | Rp 1/2 | 114,0 | 139,0 | 61,0 |
| K- 07 30 02 54 | 20 | Rp 3/4 | 130,0 | 153,0 | 70,0 |
| K- 07 30 02 55 | 25 | Rp 1 | 130,0 | 157,0 | 85,0 |
| K- 07 30 02 56 | 32 | Rp 1 1/4 | 144,0 | 171,0 | 95,0 |
| K- 07 30 02 57 | 40 | Rp 1 1/2 | 152,0 | 181,0 | 105,0 |
| K- 07 30 02 58 | 50 | Rp 2 | 169,0 | 196,0 | 125,0 |