

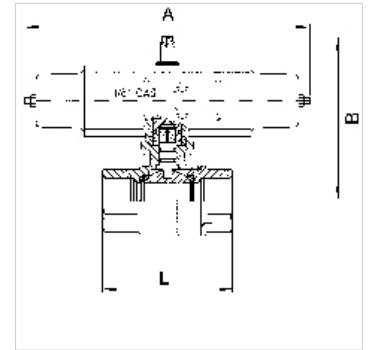
K-BKR ANTR D MS

Brass ball valves, double-acting actuator

HANSA FLEX

Savybės

| | |
|-----------------------------|---|
| Konstrukcija | Pneumatic, double-piston, part-turn actuator, double-rocker principle |
| Darbinis slėgis | Max. 16 bar |
| Darbinė temperatūra | -20 °C to +150 °C |
| Sukimo kampas | 90 ° |
| Valdymo slėgis | 5.6 bar |
| Vožtuvo adapteris | Supplied as standard |
| Temperatūros diapazonas | -20 °C to +80 °C |
| Pavara | aluminium eloxed |
| Pavaros sandariklis | NBR |
| Rutulinis vožtuvas | Chrome-plated brass, with ISO-flange plate |
| Rutulinio vožtuvo tarpiklis | PTFE/FKM |



Nuoroda

Daugiau duomenų pagal užklausimą.

Prekė

| Pavadinimas | DN | Sriegis | A (mm) | B (mm) | L (mm) |
|----------------|----|----------|-----------|-----------|-----------|
| K- 07 30 02 11 | 10 | Rp 3/8 | 70,0 | 87,0 | 69,0 |
| K- 07 30 02 12 | 15 | Rp 1/2 | 70,0 | 87,0 | 69,0 |
| K- 07 30 02 13 | 20 | Rp 3/4 | 70,0 | 94,0 | 77,0 |
| K- 07 30 02 14 | 25 | Rp 1 | 70,0 | 98,0 | 89,0 |
| K- 07 30 02 15 | 32 | Rp 1 1/4 | 114,0 | 123,0 | 103,0 |
| K- 07 30 02 16 | 40 | Rp 1 1/2 | 114,0 | 129,0 | 114,0 |
| K- 07 30 02 17 | 50 | Rp 2 | 130,0 | 145,0 | 134,0 |