

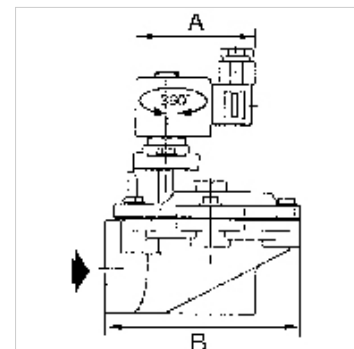
K-MV G 230 V, 50 - 60 HZ IV

Normally closed, 230 V / 50 to 60 Hz, internal pilot control

HANSA FLEX

Savybės

Elektros jungtis	ISO 4400 (Pg 11P connector socket)
Apsaugos rūšis	IP65 (with connector socket fitted)
Medžiagos temperatūra	max. +90 °C
Darbinis slėgis	min. 0,35 bar; max. 8,5 bar
2 konstrukcijos oro išleidimo jungtis	G 3/8 (K-07302231 und K-07302304), G 3/4 (K-07302232 und K-07302305, \nK-07302233 und K-07302306), Silencers can be retrofitted
Korpusas	Aluminium
Vidinės dalys	Stainless steel
Membrana	Type 1 TPE (Hydrel); Type 2 CR (chlorophene/neoprene)
Tarpiklis	Perbunan (NBR)



Nuoroda

Daugiau duomenų pagal užklausimą.

Aprašas

Environmental protection today demands state-of-the-art cleaning processes. Dust filter systems are an indispensable aid to pollution control. The fabric filters installed in these systems are cleaned by blowing in compressed air pulses in quick succession counter to the main direction of flow. The solenoid valves used for this purpose are characterised by the following application-specific design features:
- Angle type of construction to optimise the air flow
- Full cross-section at the valve seat
- Extremely fast opening and closing
- Quiet operation thanks to built-in silencers (can be retrofitted in sizes 1 1/2- to 2 1/2)
- Easy maintenance and repair because diaphragm and wearing parts are instantly available
The valves are not suitable as shut-off devices for standard applications.

Prekė

Pavadinimas	Sriegis	NW	A (mm)	B (mm)	Gaminio forma
K- 07 30 22 29	G 3/4	25,0	75,0	89,0	1
K- 07 30 22 30	G 1	25,0	75,0	89,0	1
K- 07 30 22 31	G 1 1/2	52,0	80,0	130,0	2
K- 07 30 22 32	G 2	66,0	80,0	168,0	2
K- 07 30 22 33	G 2 1/2	66,0	80,0	168,0	2