

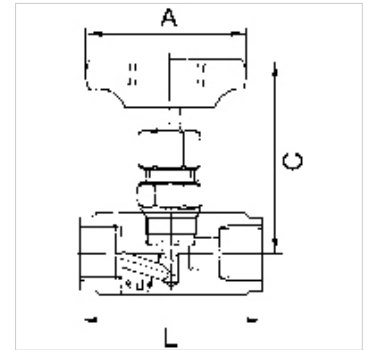
K-NADELVENTILE VA

Needle valves

HANSA FLEX

Savybės

Darbinis slėgis	max. 400 bar (at 20 °C); max. 250 bar (at G 1 - 20 °C)
Darbinė temperatūra	-20 °C to +120 °C
Sandarinimo medžiaga	PTFE
Korpusas	Stainless steel 1.4571
Smagratis	Plastic
Medžiaga	sealing: PTFE



Nuoroda

G thread acc. to DIN EN ISO 228-1, with ISO flange plate (acc. to ISO 5211)

Daugiau duomenų pagal užklausimą.

užsakymo nuorodos

For use on devices that have to be vented whenever they are turned off, either because of safety regulations or for technical reasons. The pneumatic devices are disconnected from the system and simultaneously vented each time they are shut off.

Papildoma informacija

Port sizes G 1 1/4, G 1 1/2 and G 2 available on request

Prekė

Pavadinimas	DN	Sriegis	A (mm)	C (mm)	L (mm)
K- 07 30 24 03	4	G 1/8	50,0	74,0	50,0
K- 07 30 24 04	5	G 1/4	50,0	73,0	50,0
K- 07 30 24 05	6	G 3/8	50,0	72,0	55,0
K- 07 30 24 06	8	G 1/2	63,0	83,0	60,0
K- 07 30 24 07	10	G 3/4	63,0	100,0	75,0
K- 07 30 24 08	12	G 1	80,0	110,0	100,0