

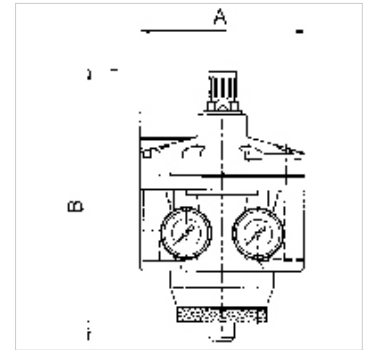
K-HOCHLEIST DRUCKREGLER

Heavy-duty pressure regulators

HANSA FLEX

Savybės

Iėjimo slėgis	Max. 25 bar
Medžiagos temperatūra	max. 60 °C
Aplinkos temperatūra	Max. 60 °C
Srautas	50000 l/min
Sandarinimo medžiaga	NBR
Korpusas	Aluminium, painted silver
Srauto reikšmės matavimas	At P1 = 8 bar, P2 = 6 bar and pressure drop $\Delta p = 1$ bar



Nuoroda

Daugiau duomenų pagal užklausimą.

Aprašas

Diaphragm pressure regulators, independent of inlet pressure, with internal pilot control and self-relieving design for very high flow rates. Separate indication of input and working pressure on two pressure gauges. The pressure setting can be locked by pushing the knob down. We recommend always using these controllers in conjunction with our K-07250607 and K-07250609 filters.

Prekė

Pavadinimas	Sriegis	Reguliavimo diapazonas	A (mm)	B	DN
K- 07 25 08 03	G 1 1/2	0.1 - 3 bar	188,0	261,0 mm	50
K- 07 25 08 04	G 1 1/2	0.2 - 6 bar	188,0	261,0 mm	50
K- 07 25 08 05	G 1 1/2	0.5 - 10 bar	188,0	261,0 mm	50
K- 07 25 08 06	G 1 1/2	0.5 - 16 bar	188,0	261,0 mm	50
K- 07 25 08 07	G 2	0.1 - 3 bar	160,0	261,0 mm	50
K- 07 25 08 08	G 2	0.2 - 6 bar	160,0	261,0 mm	50
K- 07 25 08 09	G 2	0.5 - 10 bar	160,0	261,0 mm	50
K- 07 25 08 10	G 2	0.5 - 16 bar	160,0	261,0 mm	50

Atsarginės dalys

K-VERSCHLEI-SATZ	Set of wearing parts
K-LOESBARE DOPPELNIPPEL MS	Double nipples