

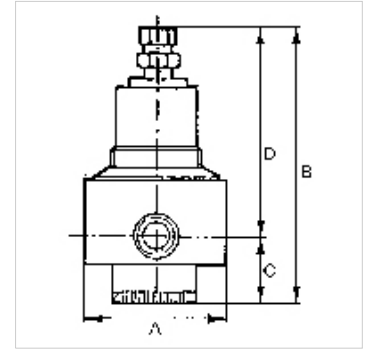
K-DRG RUECKSTERERBAR M MANO VA

Reversible, stainless steel pressure regulators with self-relieving design, stainless steel pressure gauge

HANSA FLEX

Savybės

lėjimo slėgis	Max. 30 bar (Control range 0.5 - 8.0 bar), Max. 50 bar (Control range 1.0 - 15.0 bar)
Medžiagos temperatūra	max. 80 °C
Aplinkos temperatūra	Max. 80 °C
Sandarinimo medžiaga	FKM
Membrana	PTFE
Medžiaga	stainless steel 1.4404 (AISI 316L)
Srauto reikšmės matavimas	At P1 = 8 bar, P2 = 6 bar and pressure drop $\Delta p \leq 1$ bar



Nuoroda

Daugiau duomenų pagal užklausimą.

Aprašas

Stainless steel regulators containing no non-ferrous metals for use in the food processing, chemical, mining, plant construction and special machinery industries as well as in the medical technology.

užsakymo nuorodos

NPT thread available on request

Prekė

Pavadinimas	Sriegis	Reguliavimo diapazonas	Srautas (L/min)	A (mm)	B	C (mm)	D (mm)
K- 07 25 02 06	G 1/4	0.5 - 8.0 bar	200	65,0	162,0 mm	37,0	125,0
K- 07 25 02 07	G 1/4	1.0 - 15.0 bar	330	65,0	162,0 mm	37,0	125,0
K- 07 25 02 04	G 1/2	0.5 - 8.0 bar	660	80,0	164,0 mm	37,0	127,0
K- 07 25 02 05	G 1/2	1.0 - 15.0 bar	1800	80,0	164,0 mm	37,0	127,0

Atsarginės dalys

K-HALTERBAUSATZ EDELSTAHL	Holder
K-MANO	Pressure gauges (CrNi steel type / connection on rear)
K-VERSCHLEI-SATZ	Set of wearing parts