

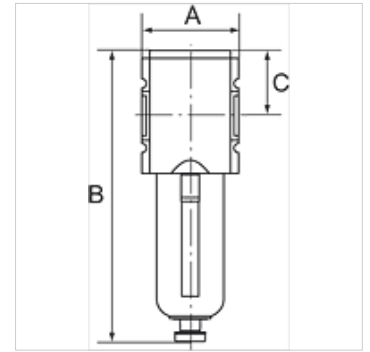
# K-FI AK KOH PC-BEHAE SCHUTZK HANSA

Activated carbon filters

**HANSA FLEX**

## Savybės

<b>Įėjimo slėgis</b>	0 - 16 bar
<b>Temperatūros diapazonas</b>	-10 °C to +50 °C
<b>Medžiagos</b>	suslėgtas oras
<b>Jungties sriegiai</b>	Material: Die-cast zinc
<b>Rezervuaras</b>	Polycarbonate (with bayonet lock)
<b>Filtravimo elementas</b>	Activated carbon
<b>Korpusas</b>	Material: Grivory® (PA 66)
<b>Apsauginis krepšelis</b>	Polyamide
<b>Likutinis alyvos kiekis</b>	0.005 mg/m <sup>3</sup> , class 0 acc. to DIN ISO 8573-1
<b>Srauto reikšmės matavimas</b>	At P2 = 6 bar and pressure drop $\Delta p = 0.5$ bar



## Nuoroda

Daugiau duomenų pagal užklausimą.

## Aprašas

Activated carbon filters in modern design for compliance with strict compressed air purity requirements. Activated carbon filters are used to absorb oil vapour up to a residual oil content of 0.005 mg/m<sup>3</sup> from compressed air and gases.

## Prekė

Pavadinimas	Sriegis	Srautas (L/min)	A (mm)	B	C (mm)
K- 07 25 10 41	G 1/4	500	52,0	157,0 mm	34,0
K- 07 25 10 42	G 3/8	500	52,0	157,0 mm	34,0
K- 07 25 10 43	G 3/8	1600	63,0	183,0 mm	42,5
K- 07 25 10 44	G 1/2	1600	63,0	183,0 mm	42,5
K- 07 25 10 23	G 3/4	3000	85,0	240,5 mm	58,0
K- 07 25 10 24	G 1	3000	85,0	240,5 mm	58,0

## Atsarginės dalys

K-HALTERBAUSATZ HANSA	Holder HANSA
K-ERSATZBEHAELTER HANSA POLY	Spare tank HANSA polycarbonat