

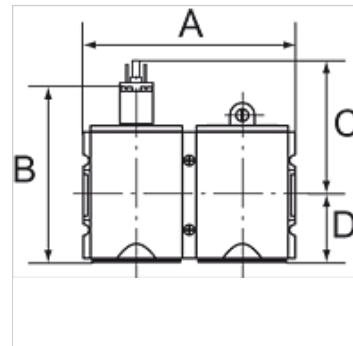
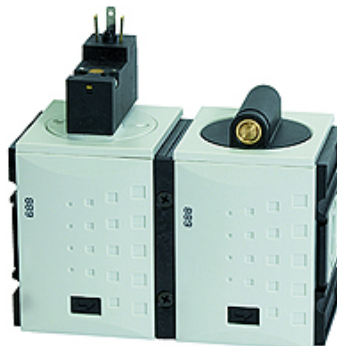
K-BEFUELLEINHEIT 230V AC HANSA

Filling units, electrically operated, with 230 VAC / 5= Hz solenoid, adjustable filling time

HANSA FLEX

Savybės

Įėjimo slėgis	2 - 10 bar
Temperatūros diapazonas	-10 °C to +50 °C
Medžiagos	suslėgtas oras
50 Hz kintamosios įtampos priveržimo galia	2,2 VA
Įjungimo trukmė	ED 100 %
Elektros jungtis	Connector type C, ISO 15217, 2 poles +PE
50 Hz kintamosios įtampos laikymo galia	1,6 VA
DC galios sąnaudos	2,5 W
Apsaugos rūšis	IP 65
Jungties sriegiai	Material: Die-cast zinc
Korpusas	Material: Grivory® (PA 66)
Srauto reikšmės matavimas	At P2 = 6 bar, pressure drop $\Delta p = 1$ bar



Nuoroda

Daugiau duomenų pagal užklausimą.

Aprašas

The filling unit protects devices connected downstream by ensuring a gradual build-up of pressure. The unit consists of a 3/2-way valve and a filling valve (start-up valve). It is connected and disconnected by means of the 3/2-way valve. The filling time can be altered by turning the adjusting screw.

užsakymo nuorodos

Filling units are also available with coil 110 V AC, 50 Hz and in a pneumatically operated version. Please ask for more information.

Prekė

Pavadinimas	Sriegis	Išleidimas	Srautas (L/min)	A (mm)	B	C (mm)	D (mm)
K- 07 25 11 03	G 1/4	1/4	1300	104,0	117,8 mm	84,8	33,0
K- 07 25 11 04	G 3/8	1/4	1300	104,0	117,8 mm	84,8	33,0
K- 07 25 11 29	G 3/8	1/2	3400	126,0	150,3 mm	93,8	56,5
K- 07 25 11 30	G 1/2	1/2	3400	126,0	150,3 mm	93,8	56,5
K- 07 25 11 51	G 3/4	1/2	8750	170,0	177,7 mm	110,7	67,0
K- 07 25 11 52	G 1	1/2	8750	170,0	177,7 mm	110,7	67,0

Priedai

K-SCHALLDAE SINTERBR S	Silencers, sintered bronze, slotted
K-SCHALLDAE SINTERBR GE MS1	Silencers, sintered bronze, with brass hexagon nut and brass thread

Atsarginės dalys

K-HALTERBAUSATZ HANSA	Holder HANSA
K-VORSTEUERVENTIL HANSA	Replacement solenoid HANSA
K-GERAETESTECKER FORM C	Connector