

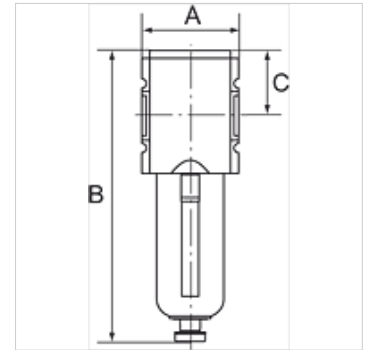
K-FI PC-BEHÄLTER SCHUTZK HANSA

Filters

HANSA FLEX

Savybės

| | |
|---------------------------|---|
| Iėjimo slėgis | 1.5 - 16 bar |
| Temperatūros diapazonas | -10 °C to +50 °C |
| Medžiagos | suslėgtas oras |
| Filtravimo blokas | 5,00 µm |
| Sandarinimo medžiaga | NBR |
| Jungties sriegiai | Material: Die-cast zinc |
| Rezervuaras | Polycarbonate (with bayonet lock) |
| Filtravimo elementas | Cellpor (PE) |
| Korpusas | Material: Grivory® (PA 66) |
| Apsauginis krepšelis | Polyamide |
| Srauto reikšmės matavimas | At P2 = 6 bar, pressure drop $\Delta p = 1$ bar |



Nuoroda

Daugiau duomenų pagal užklausimą.

Aprašas

Filters with excellent flow rates in modern design.

Prekė

| Pavadinimas | Sriegis | Srautas (L/min) | A (mm) | B | C (mm) | Gaminio dydis | Kondensato išleidimas |
|----------------|---------|-----------------|--------|----------|--------|---------------|-----------------------|
| K- 07 25 05 64 | G 1/4 | 2000 | 52,0 | 164,0 mm | 34,0 | 1 | Semi |
| K- 07 25 05 65 | G 3/8 | 2000 | 52,0 | 164,0 mm | 34,0 | 1 | Semi |
| K- 07 25 05 66 | G 3/8 | 3500 | 63,0 | 189,5 mm | 42,5 | 2 | Semi |
| K- 07 25 05 67 | G 1/2 | 3500 | 63,0 | 189,5 mm | 42,5 | 2 | Semi |
| K- 07 25 05 60 | G 3/4 | 9000 | 85,0 | 250,0 mm | 58,0 | 4 | Semi |
| K- 07 25 05 61 | G 1 | 9000 | 85,0 | 250,0 mm | 58,0 | 4 | Semi |
| K- 07 25 05 68 | G 1/4 | 2000 | 52,0 | 181,0 mm | 34,0 | 1 | Auto |
| K- 07 25 05 69 | G 3/8 | 2000 | 52,0 | 181,0 mm | 34,0 | 1 | Auto |
| K- 07 25 05 70 | G 3/8 | 3500 | 63,0 | 206,0 mm | 42,5 | 2 | Auto |
| K- 07 25 05 71 | G 1/2 | 3500 | 63,0 | 206,0 mm | 42,5 | 2 | Auto |
| K- 07 25 05 62 | G 3/4 | 9000 | 85,0 | 264,0 mm | 58,0 | 4 | Auto |
| K- 07 25 05 63 | G 1 | 9000 | 85,0 | 264,0 mm | 58,0 | 4 | Auto |

Atsarginės dalys

| | |
|-----------------------------|-------------------------------|
| K-HALTERBAUSATZ HANSA | Holder HANSA |
| K-ERSATZBEHÄLTER HANSA POLY | Spare tank HANSA polycarbonat |
| K-FILTERELEMENT | Filter element |