

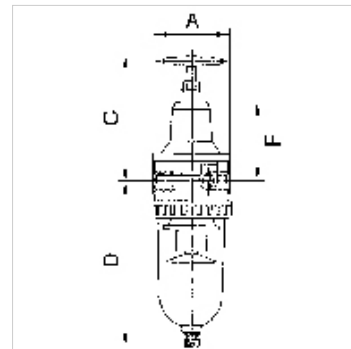
K-FI REGL PC-BEHÄLTER H ABLV STANDARD

Filter regulators with polycarbonate bowl and semi-automatic drain valve

HANSA FLEX

Savybės

Įėjimo slėgis	Max. 16 bar (polycarbonate bowl), Max. 25 bar (metal bowl)
Reguliavimo diapazonas	0.5 to 10 bar (polycarbonate bowl), 0.5 to 16 bar (metal bowl)
Medžiagos temperatūra	max. 60 °C
Aplinkos temperatūra	Max. 60 °C
Porų plotis filtro elemento	5 µm (Size 1 / Size 3), 40 µm (Size 2 / Size 4)
Sandaravimo medžiaga	NBR
Korpusas	Die-cast zinc (G1/4 to G1/2), silver painted\aluminium (G3/4 to G1), silver painted
Srauto reikšmės matavimas	At P1 = 8 bar, P2 = 6 bar and pressure drop $\Delta p = 1$ bar



Nuoroda

Daugiau duomenų pagal užklausimą.

Aprašas

Reversible diaphragm pressure regulators, independent of inlet pressure, with selfrelieving design, combined with a centrifugal separator.

Prekė

Pavadinimas	Sriegis	Srautas (L/min)	A (mm)	C (mm)	D (mm)	DN	F (mm)
K- 07 25 06 67	G 1/4	900	54,0	106,5	129,7	8	62,0
K- 07 25 06 70	G 3/8	900	54,0	106,5	129,7	8	62,0
K- 07 25 06 73	G 3/8	1500	70,0	120,5	145,9	11	76,5
K- 07 25 06 76	G 1/2	3000	82,0	130,0	169,4	14	83,0
K- 07 25 06 79	G 3/4	7000	125,0	190,6	261,4	25	145,0
K- 07 25 06 82	G 1	7000	125,0	190,6	261,4	25	145,0

Atsarginės dalys

K-HALTERBAUSATZ STANDARD	Holder
K-SCHUTZKORB G	Protective cage
K-FILTERELEMENT	Filter element
K-VERSCHLEI-SATZ	Set of wearing parts
K-XV AGM MS NI	Double nipples, parallel male thread, nickel-plated brass
K-LOESBARE DOPPELNIPPEL MS	Double nipples
K-ABLASSVENTIL AUTO	Fully-automatic drain valve with Adapter G 1/8
K-AUTOMAT ABLASSVENTIL	Automatic drain valve