

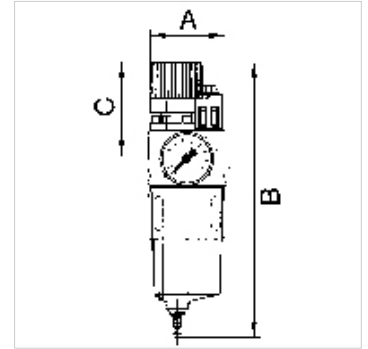
K-WTEH KOMBI PC-BEHÄLTER S H ABLV

Combination service units with polycarbonate bowl, bowl guard and manual drain valve

HANSA FLEX

Savybės

Iėjimo slėgis	Max. 16 bar (polycarbonate bowl), Max. 25 bar (metal bowl)
Medžiagos temperatūra	max. 50 °C
Aplinkos temperatūra	Max. 50 °C
Porų plotis filtro elemento	50 µm
Sandarinimo medžiaga	NBR
Korpusas	Die-cast zinc, Spring bonnet; PA
Lašėjimo antgalis	PA
Srauto reikšmės matavimas	At P1 = 8 bar, P2 = 6 bar and pressure drop $\Delta p = 1$ bar



Nuoroda

Daugiau duomenų pagal užklausimą.

Aprašas

A filter, pressure regulator and oil-mist lubricator combined in a single device with an extremely compact design. The pressure setting can be locked by pushing the knob down. Oil can be filled under pressure.

Prekė

Pavadinimas	Sriegis	Reguliavimo diapazonas	Srautas (L/min)	A (mm)	B	C (mm)
K- 07 25 08 45	G 1/4	0.5 - 10 bar	1400	67,0	217,0 mm	68,5
K- 07 25 08 47	G 1/4	0.5 - 16 bar	1000	67,0	217,0 mm	68,5
K- 07 25 08 49	G 3/8	0.5 - 10 bar	1400	67,0	217,0 mm	68,5
K- 07 25 08 51	G 3/8	0.5 - 16 bar	1000	67,0	217,0 mm	68,5
K- 07 25 08 53	G 1/2	0.5 - 10 bar	1400	65,0	217,0 mm	68,5
K- 07 25 08 55	G 1/2	0.5 - 16 bar	1000	65,0	217,0 mm	68,5
K- 07 25 08 57	G 3/4	0.5 - 10 bar	3400	97,0	296,5 mm	96,5
K- 07 25 08 59	G 3/4	0.5 - 16 bar	2800	97,0	296,5 mm	96,5
K- 07 25 08 61	G 1	0.5 - 10 bar	3400	93,0	296,5 mm	96,5
K- 07 25 08 63	G 1	0.5 - 16 bar	2800	93,0	296,5 mm	96,5

Atsarginės dalys

K-HALTERBAUSATZ SERIE 81	Holder for series 81
K-ERSATZBEHÄLTER KOMBI	Spare tank
K-SCHUTZKORB G	Protective cage
K-VERSCHLEI-SATZ	Set of wearing parts
K-TROPFAUFSATZ POLYCARBO	Drip attachment polycarbonate
K-TROPFAUFSATZ METALL	Drip attachment metal
K-FILTERELEMENT	Filter element
K-ABLASSVENTIL AUTO	Fully-automatic drain valve with Adapter G 1/8
K-RD NIPPEL KURZ 1	Reducing nipples, short type
K-XV AGM 2	Double nipples, parallel male thread