

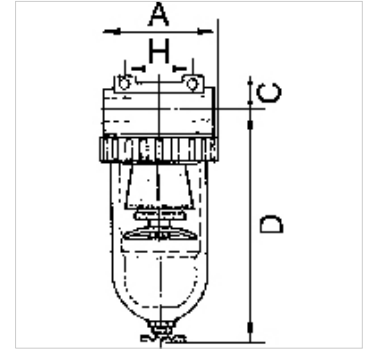
K-FI SPEZI PC-BEHÄLTER H STANDARD

Special filters with polycarbonate bowl, with semi-automatic drain valve to G 1/2 and manual drain valve from G 3/4

HANSA FLEX

Savybės

Iėjimo slėgis	Max. 16 bar (polycarbonate bowl / bowl guard), Max. 25 bar (metal bowl)
Medžiagos temperatūra	max. 50 °C
Aplinkos temperatūra	Max. 50 °C
Naudingumo koeficientas	99.999 %
Porų plotis filtro elemente	0.01 µm
Korpusas	Die-cast zinc, painted silver
Srauto reikšmės matavimas	At P2 = 6 bar and pressure drop $\Delta p = 1$ bar



Nuoroda

Daugiau duomenų pagal užklausimą.

Aprašas

For all applications with particularly strict compressed air purity requirements. The separating efficiency of these filters permits very fine oil vapour particles and micro-fine suspended particles to be filtered. A standard filter should always be connected upstream to trap coarse impurities and protect the micro-filter inserts.

Prekė

Pavadinimas	Sriegis	Srautas (L/min)	A (mm)	C (mm)	D (mm)	H (mm)	DN
K- 07 25 10 76	G 3/8	380	48,0	14,0	131,6	38,0	6
K- 07 25 10 83	G 3/4	7000	133,0	36,0	206,0	134,0	20
K- 07 25 10 86	G 1	7000	133,0	36,0	206,0	120,0	25

Atsarginės dalys

K-HALTERBAUSATZ STANDARD	Holder
K-FILTERELEMENT STANDARD	Filter element
K-SCHUTZKORB G	Protective cage
K-XV AGM MS NI	Double nipples, parallel male thread, nickel- plated brass
K-LOESBARE DOPPELNIPPEL MS	Double nipples