

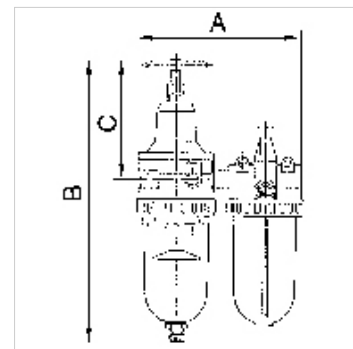
K-WTEH 2-TLG PC H ABLV STANDARD

Service units with polycarbonate bowl and semi-automatic drain valve

HANSA FLEX

Savybės

Įėjimo slėgis	Max. 16 bar (polycarbonate bowl / bowl guard), Max. 25 bar (metal bowl)
Reguliavimo diapazonas	0.5 to 10 bar (polycarbonate bowl), 0.5 to 16 bar (metal bowl)
Medžiagos temperatūra	max. 60 °C
Aplinkos temperatūra	Max. 60 °C
Porų plotis filtro elemento	5 µm (Size 1 / Size 3), 40 µm (Size 2 / Size 4)
Sandarinimo medžiaga	NBR
Korpusas	Die-cast zinc / Aluminium, painted silver
Lašėjimo antgalis	PA (polycarbonate bowl), Zinc-glass-NBR (metal bowl)
Srauto reikšmės matavimas	At P1 = 8 bar, P2 = 6 bar and pressure drop $\Delta p = 1$ bar



Nuoroda

Daugiau duomenų pagal užklausimą.

Aprašas

Two-piece service units consisting of a reversible diaphragm pressure regulator, independent of inlet pressure, with self-relieving design, combined with a centrifugal separator and a proportional lubricator.

Prekė

Pavadinimas	Sriegis	Srautas (L/min)	A (mm)	B	C (mm)	DN	Manometro Ø
K- 07 25 14 93	G 1/4	600	117,0	236,2 mm	106,5	6	50
K- 07 25 14 96	G 3/8	600	117,0	236,2 mm	106,5	6	50
K- 07 25 14 99	G 3/8	800	150,0	266,4 mm	120,5	10	63
K- 07 25 15 02	G 1/2	2100	175,0	299,4 mm	130,0	15	63
K- 07 25 15 05	G 3/4	4000	220,0	452,0 mm	190,6	20	63
K- 07 25 15 08	G 1	4000	220,0	452,0 mm	190,6	25	63

Atsarginės dalys

K-HALTERBAUSATZ STANDARD	Holder
K-SCHUTZKORB G	Protective cage
K-VERSCHLEI-SATZ	Set of wearing parts
K-FILTERELEMENT	Filter element
K-TROPFAUFSATZ POLYCARBO	Drip attachment polycarbonate
K-XV AGM MS NI	Double nipples, parallel male thread, nickel-plated brass
K-LOESBARE DOPPELNIPPEL MS	Double nipples
K-RD NIPPEL MS NI	Reducing nipples - nickel-plated brass
K-TROPFAUFSATZ METALL	Drip attachment metal
K-ABLASSVENTIL AUTO	Fully-automatic drain valve with Adapter G 1/8
K-AUTOMAT ABLASSVENTIL	Automatic drain valve