

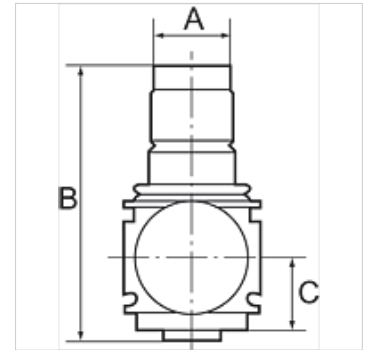
K-DRG VARIOBLOC

Pressure regulators

HANSA FLEX

Savybės

| | |
|---------------------------|---|
| Iėjimo slėgis | Max. 25 bar |
| Medžiagos temperatūra | max. 50 °C |
| Aplinkos temperatūra | Max. 50 °C |
| Sandarinimo medžiaga | NBR |
| Spyruoklės gaubtas | POM |
| Korpusas | Die-cast zinc |
| Membrana | NBR |
| Srauto reikšmės matavimas | At P1 = 10 bar, P2 = 6 bar and pressure drop $\Delta p = 1$ bar |



Nuoroda

Daugiau duomenų pagal užklausimą.

Aprašas

Reversible diaphragm pressure regulators, independent of inlet pressure, with self-relieving design. The pressure setting can be locked by pushing the knob down. Approved series in modern industrial design, with the following key benefits: Simple handling, Convenient modular assembly thanks to innovative fasteners, Excellent flow values.

užsakymo nuorodos

Pressure regulators are also available in lockable version. Please ask for more information.

Prekė

| Pavadinimas | Sriegis | Reguliavimo diapazonas | Srautas (L/min) | A (mm) | B | C (mm) |
|----------------|---------|------------------------|-----------------|--------|----------|--------|
| K- 07 25 04 18 | G 1/4 | 0.5 - 6 bar | 2000 | 48,0 | 98,0 mm | 26,0 |
| K- 07 25 04 19 | G 1/4 | 0.5 - 10 bar | 2000 | 48,0 | 98,0 mm | 26,0 |
| K- 07 25 04 20 | G 1/4 | 0.5 - 16 bar | 2000 | 48,0 | 98,0 mm | 26,0 |
| K- 07 25 04 21 | G 3/8 | 0.5 - 6 bar | 3200 | 48,0 | 98,0 mm | 26,0 |
| K- 07 25 04 22 | G 3/8 | 0.5 - 10 bar | 3200 | 48,0 | 98,0 mm | 26,0 |
| K- 07 25 04 23 | G 3/8 | 0.5 - 16 bar | 3200 | 48,0 | 98,0 mm | 26,0 |
| K- 07 25 04 24 | G 1/2 | 0.5 - 6 bar | 7000 | 70,0 | 134,0 mm | 32,5 |
| K- 07 25 04 25 | G 1/2 | 0.5 - 10 bar | 7000 | 70,0 | 134,0 mm | 32,5 |
| K- 07 25 04 26 | G 1/2 | 0.5 - 16 bar | 7000 | 70,0 | 134,0 mm | 32,5 |
| K- 07 25 04 27 | G 3/4 | 0.5 - 6 bar | 8000 | 70,0 | 134,0 mm | 32,5 |
| K- 07 25 04 28 | G 3/4 | 0.5 - 10 bar | 8000 | 70,0 | 134,0 mm | 32,5 |
| K- 07 25 04 29 | G 3/4 | 0.5 - 16 bar | 8000 | 70,0 | 134,0 mm | 32,5 |
| K- 07 25 04 30 | G 1 | 0.5 - 6 bar | 8000 | 124,0 | 134,0 mm | 32,5 |
| K- 07 25 04 31 | G 1 | 0.5 - 10 bar | 8000 | 124,0 | 134,0 mm | 32,5 |
| K- 07 25 04 32 | G 1 | 0.5 - 16 bar | 8000 | 124,0 | 134,0 mm | 32,5 |

Atsarginės dalys

K-VERSCHLEI-SATZ VARIOBLOC Set of wearing parts