

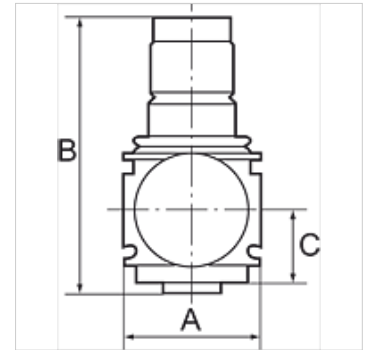
# K-DRG DRVS VARIOBLOC

Pressure regulators with pressure supply at both ends

**HANSA FLEX**

## Savybės

Iėjimo slėgis	Max. 25 bar
Medžiagos temperatūra	max. 50 °C
Aplinkos temperatūra	Max. 50 °C
Sandarinimo medžiaga	NBR
Spyruoklės gaubtas	POM-brass
Korpusas	Die-cast zinc
Srauto reikšmės matavimas	At P1 = 10 bar, P2 = 6 bar and pressure drop $\Delta p = 1$ bar



## Nuoroda

Daugiau duomenų pagal užklausimą.

## Aprašas

Diaphragm pressure regulators with self-relieving design for mounting side by side. The pressure setting can be locked by pushing the knob down. <br>By assembling two or more controllers together, it is possible to supply several working air circuits with different output pressures via a single supply line.

## užsakymo nuorodos

Pressure regulators are also available in lockable version. Please ask for more information.

## Prekė

Pavadinimas	Sriegis	Reguliavimo diapazonas	Srautas (L/min)	A (mm)	B	C (mm)
K- 07 25 04 33	G 1/4	0.5 - 6 bar	1800	48,0	98,0 mm	26,0
K- 07 25 04 34	G 1/4	0.5 - 10 bar	1800	48,0	98,0 mm	26,0
K- 07 25 04 35	G 1/4	0.5 - 16 bar	1800	48,0	98,0 mm	26,0
K- 07 25 04 36	G 3/8	0.5 - 6 bar	1800	48,0	98,0 mm	26,0
K- 07 25 04 37	G 3/8	0.5 - 10 bar	1800	48,0	98,0 mm	26,0
K- 07 25 04 38	G 3/8	0.5 - 16 bar	1800	48,0	98,0 mm	26,0

## Atsarginės dalys

K-VERSCHLEI-SATZ VARIOBLOC Set of wearing parts