

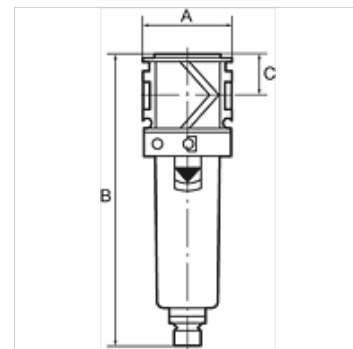
K-FI METALLBEHAELTER SICHT VARIBLOC

Filters with metal bowl incl. sight glass

HANSA FLEX

Savybės

Įėjimo slėgis	Max. 16 bar (polycarbonate bowl), Max. 20 bar (metal bowl)
Medžiagos temperatūra	max. 50 °C
Aplinkos temperatūra	Max. 50 °C (polycarbonate bowl), Max. 80 °C (metal bowl)
Porų plotis filtro elemento	40 µm
Sandarinimo medžiaga	NBR
Korpusas	Die-cast zinc
Drain valve	Manual
Srauto reikšmės matavimas	At P1 = 6 bar and pressure drop $\Delta p = 1$ bar



Nuoroda

Daugiau duomenų pagal užklausimą.

Aprašas

Centrifugal separators with a sintered filter element. Filtration takes place in a 2-stage process comprising cyclone separation (condensate) and a PE filter element (particles).
Approved series in modern industrial design, with the following key benefits: Simple handling, Convenient modular assembly thanks to innovative fasteners, Excellent flow values.

užsakymo nuorodos

Filters are also available with bowl guard or metal bowl.

Prekė

Pavadinimas	Sriegis	Srautas (L/min)	A (mm)	B	C (mm)
K- 07 25 06 26	G 1/4	1800	48,0	155,0 mm	22,0
K- 07 25 06 28	G 3/8	2000	48,0	155,0 mm	22,0
K- 07 25 06 30	G 1/2	3200	70,0	202,0 mm	26,0
K- 07 25 06 32	G 3/4	3500	70,0	202,0 mm	26,0
K- 07 25 06 34	G 1	3500	124,0	202,0 mm	26,0

Atsarginės dalys

K-ERSATZBEHAELTER VARIOBLOC POLY	Spare tank Polycarbonat
K-FILTERELEMENT VARIOBLOC	Filter element
K-ABLASSVENTIL AUTO	Fully-automatic drain valve with Adapter G 1/8