

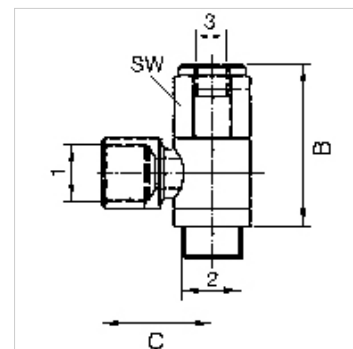
# K-HS RD

Unidirectional banjo valves, pneumatic release, port 2 with female thread

**HANSA FLEX**

## Savybės

Darbinis slėgis	0.3 - 10 bar
Valdymo slėgis	0.5 - 2.5 bar, depending on operating pressure
Medžiagos temperatūra	max. 60 °C
Sumontavimo padėtis	Any. The ring piece must be positioned before the valve is tightened
Medžiaga	Žalvaris, nikeliuotas
Sandarinimo medžiaga	Perbunan



## Nuoroda

Daugiau duomenų pagal užklausimą.

## Aprašas

For stopping and positioning the cylinder movement: If a control signal is present at port 3 (see drawing), air can flow to and from the cylinder. If no control signal is present, the cylinder exhaust air is shut off by the unidirectional valve. The cylinder is stopped. Releasable unidirectional valves are screwed directly onto the cylinder instead of the normal pipe connections.

## Prekė

Pavadinimas	Port 1	Port 2	3 jungtis	B (mm)	C (mm)
K- 07 15 07 04	G 1/8	G 1/8	M 5	38,0	21,5
K- 07 15 07 03	G 1/4	G 1/4	G 1/8	43,0	25,4
K- 07 15 07 05	G 3/8	G 3/8	G 1/8	46,0	31,6
K- 07 15 07 02	G 1/2	G 1/2	G 1/8	52,0	32,0