

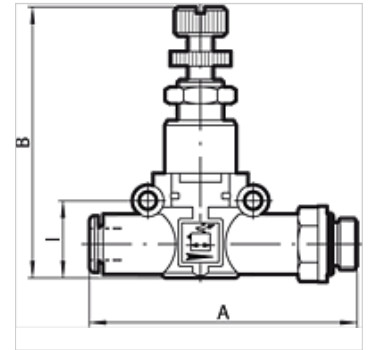
# K-DRG SCHL GEW

Pressure regulators, pipe (input) - thread (output)

**HANSA FLEX**

## Savybės

Darbinis slėgis	2 - 10 bar
Srautas 6,3 bar	400 NI/min (Ø 6 and G 1/8), 600 NI/min (Ø 8 and G 1/4)
Temperatūros diapazonas	-20 °C to +60 °C
Korpusas	Technopolymer
Vidinės dalys	nickel-plated brass, brass, technopolymer, stainless steel
Sandarinimo medžiaga	NBR
Montavimas	Wall mounting (housing with drilled holes) Bracket mounting (mounting bracket available) Panel mounting (with bracket or lock nut)
Simbolis	on the housing



## Nuoroda

Daugiau duomenų pagal užklausimą.

## Aprašas

A carefully selected assortment of products for installation in pneumatic circuits. These small, highly efficient components allow all pneumatic functions to be implemented anywhere in the circuit. The series has an ultramodular design. All components can be installed in parallel, in series, in a mixed parallel / serial configuration. Available as Pipe / pipe connection with two plug connectors Thread / pipe connection, with one plug connector and one nickel-plated brass thread.

## Prekė

Pavadinimas	Sriegis	žarnos Ø (mm)	Reguliavimo diapazonas	A (mm)	B (mm)	l (mm)
K- 07 25 03 19	G 1/8	6	1 - 8 bar	58,5	52,0	14,6
K- 07 25 03 20	G 1/8	8	1 - 8 bar	61,5	52,0	14,6
K- 07 25 03 17	G 1/4	6	1 - 8 bar	66,2	58,0	18,7
K- 07 25 03 18	G 1/4	8	1 - 8 bar	70,6	58,0	18,7
K- 07 25 03 21	G 3/8	8	1 - 8 bar	72,2	58,0	18,7