

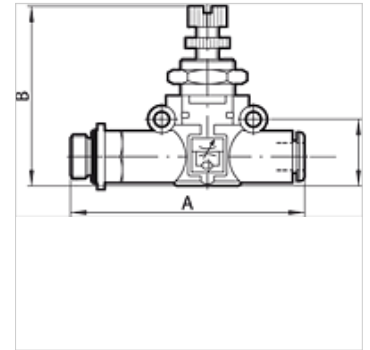
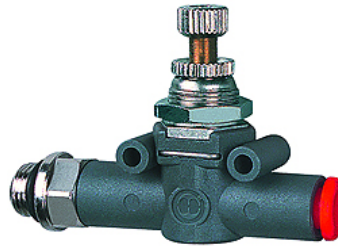
K-DUFR E GEW SCHL

Flow regulators, flow at one end (cylinder assembly), thread - pipe

HANSA FLEX

Savybės

Darbinis slėgis	maks. 10 bar
Srautas 6,3 bar	155 l/min (Ø 4), 450 l/min (Ø 6), 850 l/min (Ø 8)
Srt. 6,3 bar oro išleidimas	160 l/min (Ø 4), 550 l/min (Ø 6), 950 l/min (Ø 8)
Nustatymas	Manual or screwdriver
Temperatūros diapazonas	-20 °C to +60 °C
Korpusas	Technopolymer
Vidinės dalys	nickel-plated brass, brass, technopolymer, stainless steel
Sandarinimo medžiaga	NBR
Montavimas	Wall mounting (housing with drilled holes) Bracket mounting (mounting bracket available) Panel mounting (with bracket or lock nut)
Simbolis	on the housing



Nuoroda

Daugiau duomenų pagal užklausimą.

Aprašas

A carefully selected assortment of products for installation in pneumatic circuits. These small, highly efficient components allow all pneumatic functions to be implemented anywhere in the circuit. The series has an ultramodular design. All components can be installed in parallel, in series, in a mixed parallel / serial configuration. Available as Pipe / pipe connection with two plug connectors Thread / pipe connection, with one plug connector and one nickel-plated brass thread.

Prekė

Pavadinimas	Sriegis	žarnos Ø (mm)	A (mm)	B (mm)	l (mm)
K- 07 15 05 85	M 5	4	47,7	35,0	12,7
K- 07 15 05 88	G 1/8	4	51,6	35,0	12,7
K- 07 15 05 89	G 1/8	6	58,5	40,0	14,6
K- 07 15 05 90	G 1/8	8	61,5	40,0	14,6
K- 07 15 05 86	G 1/4	6	66,2	49,0	18,7
K- 07 15 05 87	G 1/4	8	70,6	49,0	18,7
K- 07 15 05 91	G 3/8	8	72,2	49,0	18,7